



## Submersible Vortex Sewage Pump

---

Made in Taiwan



Catalogue 60 Hz





## Index

60Hz

### SV

#### General Data

Model Code	1
Applications	1
Motor	1
Pump	1
Operation Conditions	1
Material	1

#### Technical Data

SV 60Hz (Single Phase)	2
SV 60Hz (Three Phase)	4

#### Guide Rail series

TS	6
TM	6
TL	6

### SV series Submersible Sewage / Effluent Pumps

SV series Submersible Sewage / Effluent Pumps are designed for commercial and industrial wastewater transferring and dewatering applications.

The innovative vortex impeller design reduces the risk of clogging problem. Moreover, SV series include a stainless steel motor frame to prevent corrosion and are designed to provide great heat dissipation from the motor, ensuring a long service life.

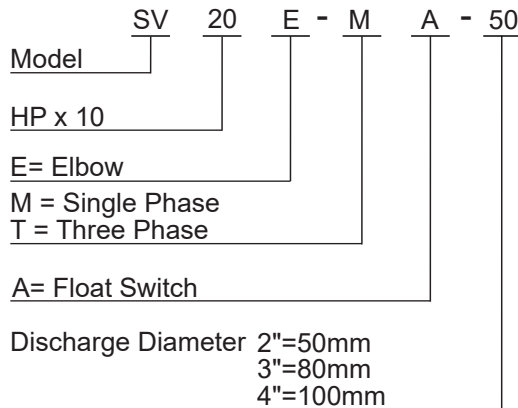
As with pump, each one is 100% tested to ensure quality and reliability for years of trouble-free performance.

## General Data

60Hz



### Model Code



### Applications

- Basement water removal
- Waste water drainage
- Water transfer
- Sump/effluent handling
- Dewatering
- Fish pond & fountain circulation
- Factory waste water handling

### Motor

- Motor Type : 2 POLE , dry type
- Frequency : 60Hz  
Nominal Speed : 3450 rpm
- Insulation Class : F class (155°C)
- Enclosure Protection Class : IP 68
- Protection Device :  
Thermal Protector (Single phase)  
Overload Protector (Three phase)

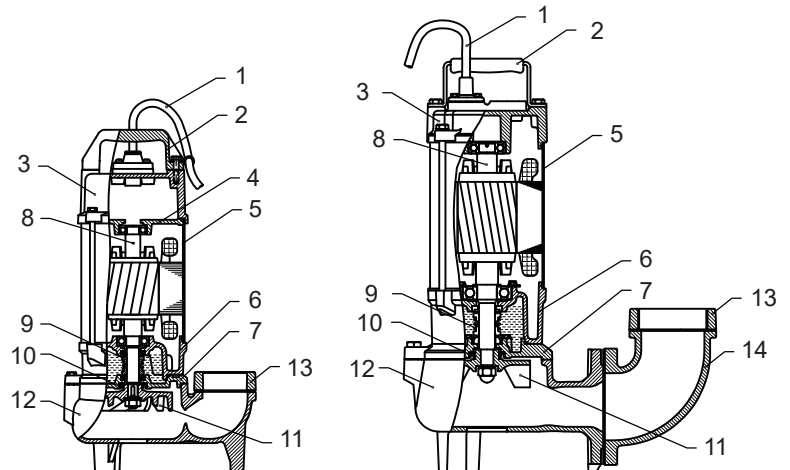
### Pump

- Impeller : Vortex impeller
- Shaft Seal : Double mechanical seal + oil seal
- Bearing : Double-shielded Ball Bearing

### Operation Conditions

- Fluid Temperature: 0 to 40°C (122°F)

### Material



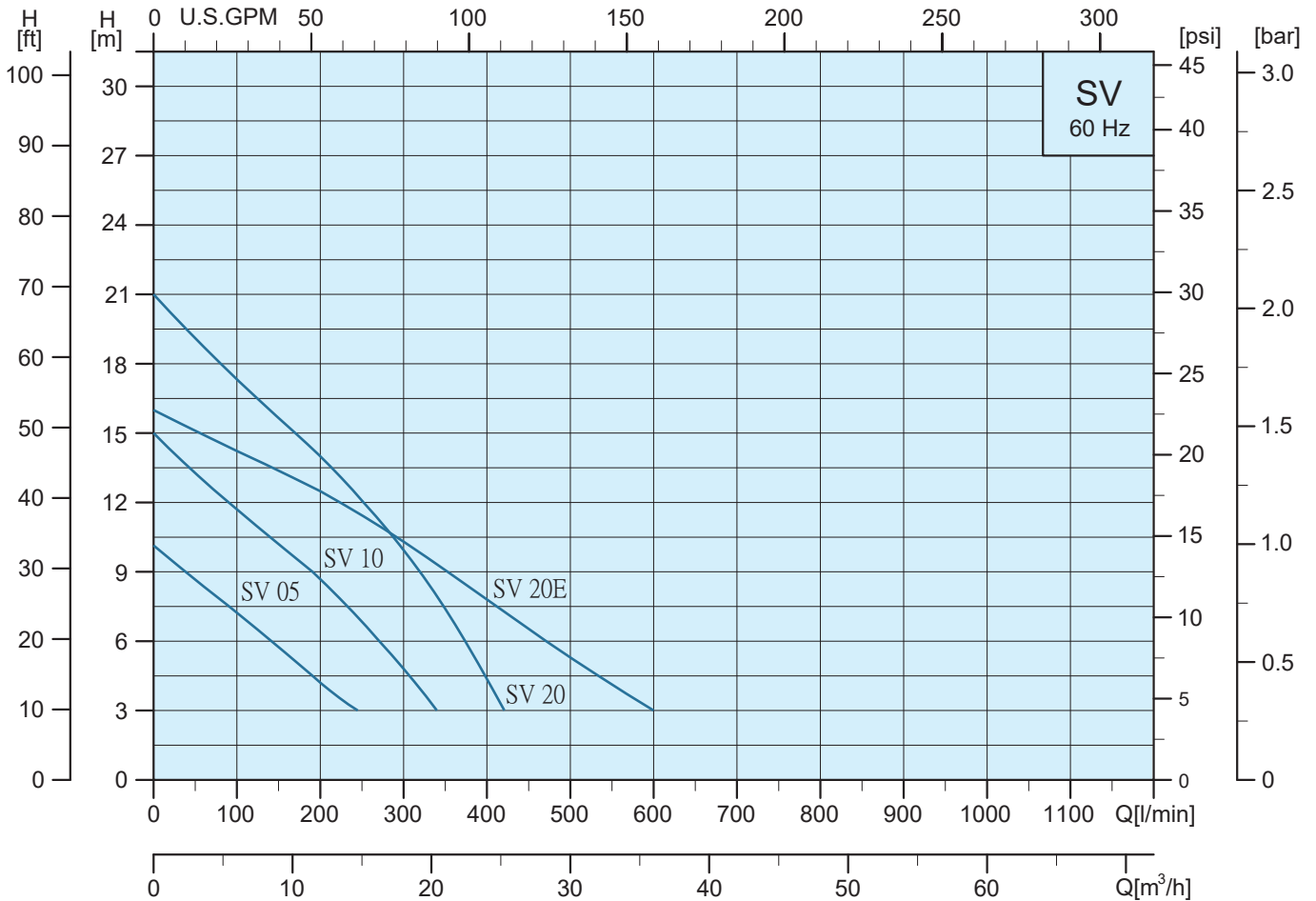
No.	Name	Material
1	Cable	H07RN-F
2	Handle	Nylon6+30GF(0.5~1.0HP)
		AISI 304+NBR(2.0~5.0HP)
3	Motor Cover	FC200
4	Bearing Cap	FC200
5	Motor Frame	AISI 304
6	Bearing Bracket	FC200
7	M.Seal Bracket	FC200
8	Shaft	SUS 410
9	Mechanical Seal	CA/CE,SIC/SIC
10	Oil Seal	NBR 70
11	Impeller	FC200
12	Pump Casing	FC200
13	Flange	FC200
14	Elbow	FC200

## SV (Single Phase)

### Technical Data

60Hz

#### Performance Curves



#### Specifications

Model	Q = DELIVERY											
	L/min	0	100	200	300	400	500	600	700	800	900	1000
	m³/h	0	6	12	18	24	30	36	42	48	54	60
<b>Single Phase</b>												
SV 05-M-50	H(m)	10.0	7.2	4.2	—	—	—	—	—	—	—	—
SV 10-M-50		15.0	11.5	8.5	4.8	—	—	—	—	—	—	—
SV 20-M-50		21.0	17.2	14.0	10.0	4.4	—	—	—	—	—	—
SV 20E-M-50		16.0	14.3	12.5	10.4	7.8	5.3	3.0	—	—	—	—
SV 20E-M-80		16.0	14.3	12.5	10.4	7.8	5.3	3.0	—	—	—	—
<b>Single Phase Auto Float Switch</b>												
SV 05-MA-50	H(m)	10.0	7.2	4.2	—	—	—	—	—	—	—	—
SV 10-MA-50		15.0	11.5	8.5	4.8	—	—	—	—	—	—	—
SV 20-MA-50		21.0	17.2	14.0	10.0	4.4	—	—	—	—	—	—
SV 20E-MA-50		16.0	14.3	12.5	10.4	7.8	5.3	3.0	—	—	—	—
SV 20E-MA-80		16.0	14.3	12.5	10.4	7.8	5.3	3.0	—	—	—	—

# SV (Single Phase)

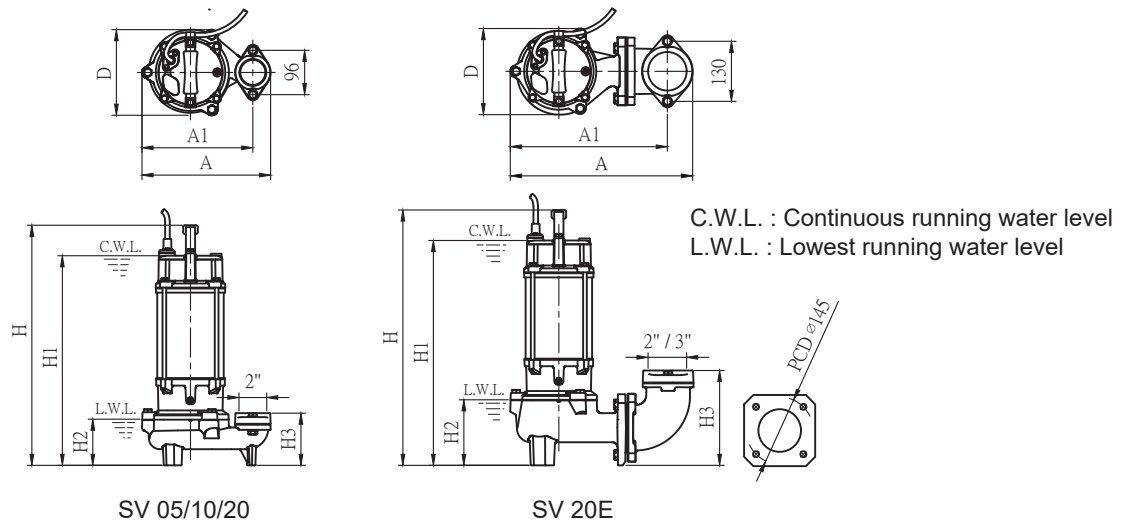
## Technical Data

**60Hz**

### Specifications

Model	Power		Input kW	Capacitor				Max.Amp [A]		Head		Flow		Discharge inch
	HP	kW		110-127V		220-240V		110-127V	220-240V	Rated (m)	Max. (m)	Rated (L/min)	Max. (L/min)	
			μF	V	μF	V								
<b>Single Phase</b>														
SV 05-M-50	0.5	0.37	0.6	50	250	12	450	6.7-6.1	3.3-3.1	5.5	10.0	160	250	2"
SV 10-M-50	1.0	0.75	1.0	80	250	20	450	10.8-9.5	5.0-4.6	8.5	15.0	200	340	2"
SV 20-M-50	2.0	1.5	2.2	—	—	40	450	—	10.3-9.5	14.0	21.0	200	420	2"
SV 20E-M-50	2.0	1.5	2.2	—	—	40	450	—	10.3-9.5	10.0	16.0	310	600	2"
SV 20E-M-80	2.0	1.5	2.2	—	—	40	450	—	10.3-9.5	10.0	16.0	310	600	3"
<b>Single Phase Auto Float Switch</b>														
SV 05-MA-50	0.5	0.37	0.6	50	250	12	450	6.7-6.1	3.3-3.1	5.5	10.0	160	250	2"
SV 10-MA-50	1.0	0.75	1.0	80	250	20	450	10.8-9.5	5.0-4.6	8.5	15.0	200	340	2"
SV 20-MA-50	2.0	1.5	2.2	—	—	40	450	—	10.3-9.5	14.0	21.0	200	420	2"
SV 20E-MA-50	2.0	1.5	2.2	—	—	40	450	—	10.3-9.5	10.0	16.0	310	600	2"
SV 20E-MA-80	2.0	1.5	2.2	—	—	40	450	—	10.3-9.5	10.0	16.0	310	600	3"

### Dimensions and Weights



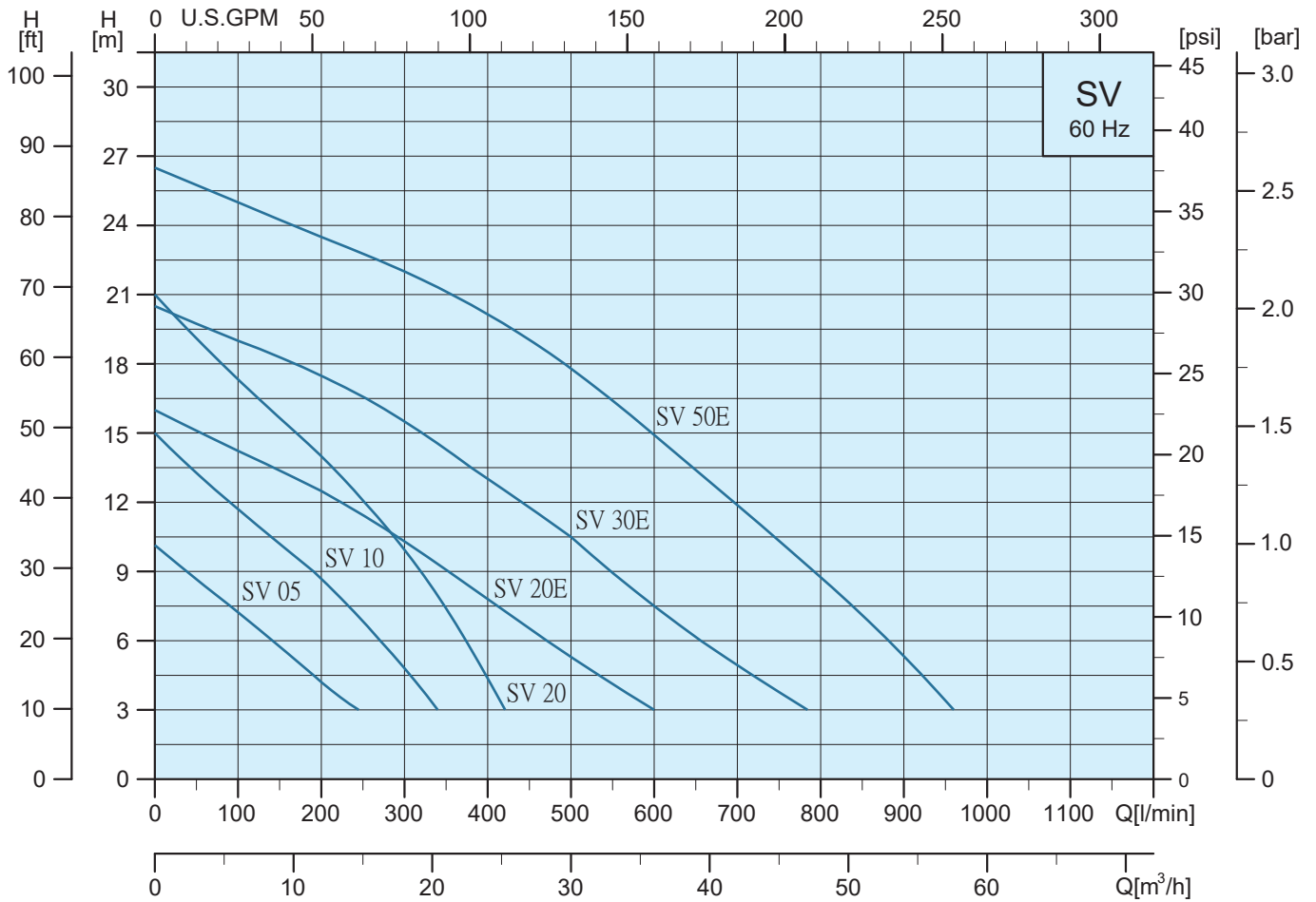
Model	Solids Passage (mm)	Dimensions (mm)							Cable		Net Weights (kg)
		A	A1	D	H	H1	H2	H3	m	UL(AWG)	
<b>Single Phase</b>											
SV 05-M-50	35	240	201	153	406	352	110	124	10	16x3C	17.0
SV 10-M-50	35	240	201	153	426	372	110	124	10	16x3C	18.5
SV 20-M-50	35	279	240	186	520	454	100	112	10	14x3C	30.0
SV 20E-M-50	50	395	340	186	562	496	141	205	10	14x3C	37.0
SV 20E-M-80	50	395	340	186	562	496	141	205	10	14x3C	37.0
<b>Single Phase Auto Float Switch</b>											
SV 05-MA-50	35	240	201	153	406	352	110	124	10	16x3C	17.0
SV 10-MA-50	35	240	201	153	426	372	110	124	10	16x3C	18.5
SV 20-MA-50	35	279	240	186	520	454	100	112	10	14x3C	30.0
SV 20E-MA-50	50	395	340	186	562	496	141	205	10	14x3C	37.0
SV 20E-MA-80	50	395	340	186	562	496	141	205	10	14x3C	37.0

## SV (Three Phase)

### Technical Data

60Hz

#### Performance Curves



#### Specifications

Model	Q = DELIVERY											
	L/min	0	100	200	300	400	500	600	700	800	900	1000
	m³/h	0	6	12	18	24	30	36	42	48	54	60
<b>Three Phase</b>												
SV 05-T-50	H(m)	10.0	7.2	4.2	—	—	—	—	—	—	—	—
SV 10-T-50		15.0	11.5	8.5	4.8	—	—	—	—	—	—	—
SV 20-T-50		21.0	17.2	14.0	10.0	4.4	—	—	—	—	—	—
SV 20E-T-50		16.0	14.3	12.5	10.4	7.8	5.3	3.0	—	—	—	—
SV 20E-T-80		16.0	14.3	12.5	10.4	7.8	5.3	3.0	—	—	—	—
SV 30E-T-50		20.5	19.0	17.5	15.5	13.0	10.5	7.5	4.8	2.4	—	—
SV 30E-T-80		20.5	19.0	17.5	15.5	13.0	10.5	7.5	4.8	2.4	—	—
SV 50E-T-80		26.5	25.0	23.5	22.0	20.1	18.0	15.0	12.0	8.7	5.3	—
SV 50E-T-100		26.5	25.0	23.5	22.0	20.1	18.0	15.0	12.0	8.7	5.3	—

## SV (Three Phase)

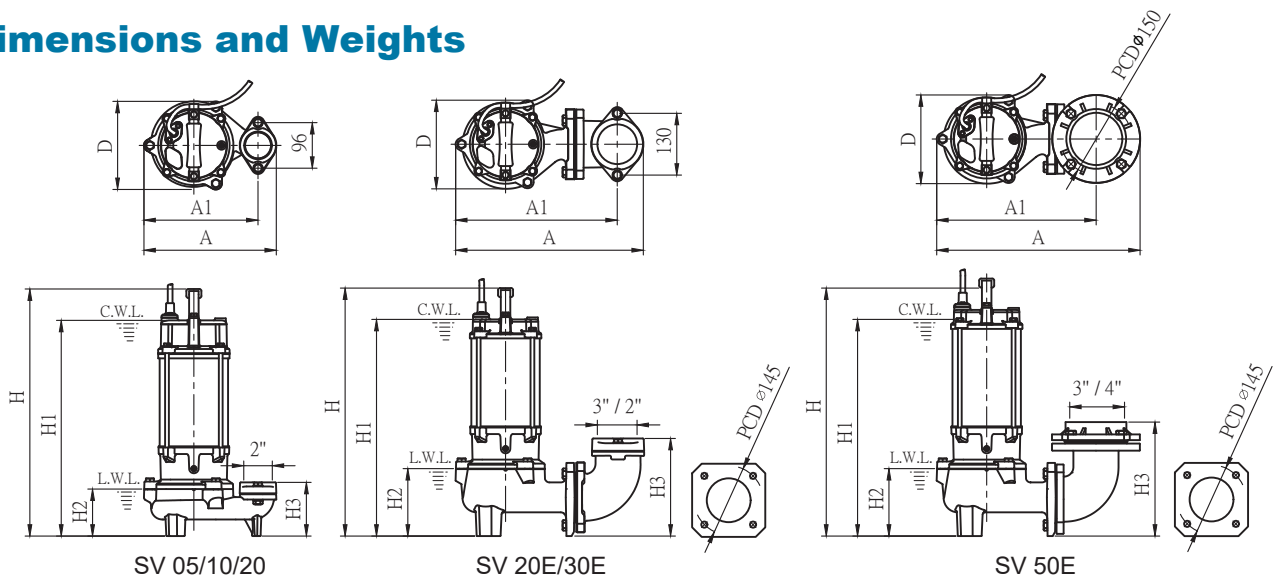
### Technical Data

60Hz

### Specifications

Model	Power		Input kW	Max.Amp [A]			Head		Flow		Discharge inch
	HP	kW		220-240V	380-400V	460-480V	Rated (m)	Max. (m)	Rated (L/min)	Max. (L/min)	
<b>Three Phase</b>											
SV 05-T-50	0.5	0.37	0.6	2.3-2.1	1.3-1.1	1.3-1.1	5.5	10.0	160	205	2"
SV 10-T-50	1.0	0.75	1.0	3.5-3.3	2.1-2.0	1.9-1.7	8.5	15.0	200	340	2"
SV 20-T-50	2.0	1.5	2.2	6.5-6.2	3.8-3.6	3.2-3.0	14.0	21.0	200	420	2"
SV 20E-T-50	2.0	1.5	2.2	6.5-6.2	3.8-3.6	3.2-3.0	10.0	16.0	310	600	2"
SV 20E-T-80	2.0	1.5	2.2	6.5-6.2	3.8-3.6	3.2-3.0	10.0	16.0	310	600	3"
SV 30E-T-50	3.0	2.2	3.0	8.8-8.5	5.0-4.8	4.8-4.7	13.0	20.5	400	785	2"
SV 30E-T-80	3.0	2.2	3.0	8.8-8.5	5.0-4.8	4.8-4.7	13.0	20.5	400	785	3"
SV 50E-T-80	5.0	3.7	4.6	13.6-13.0	8.0-7.8	7.7-7.3	18.0	26.5	500	950	3"
SV 50E-T-100	5.0	3.7	4.6	13.6-13.0	8.0-7.8	7.7-7.3	18.0	26.5	500	950	4"

### Dimensions and Weights



Model	Solids Passage (mm)	Dimensions (mm)							Cable		Net Weights (kg)
		A	A1	D	H	H1	H2	H3	m	UL (AWG)	
<b>Three Phase</b>											
SV 05-T-50	35	240	201	153	406	352	110	124	10	16x4C	16.0
SV 10-T-50	35	240	201	153	426	372	110	124	10	16x4C	17.5
SV 20-T-50	35	279	240	186	480	414	100	112	10	14x4C	27.0
SV 20E-T-50	50	395	340	186	522	456	141	205	10	14x4C	34.0
SV 20E-T-80	50	395	340	186	522	456	141	205	10	14x4C	34.0
SV 30E-T-50	50	395	340	186	522	456	141	205	10	14x4C	36.5
SV 30E-T-80	50	395	340	186	522	456	141	205	10	14x4C	36.5
SV 50E-T-80	50	428	335	186	542	476	141	240	10	14x4C	41.0
SV 50E-T-100	50	428	335	186	542	476	141	240	10	14x4C	41.0

C.W.L. : Continuous running water level

L.W.L. : Lowest running water level

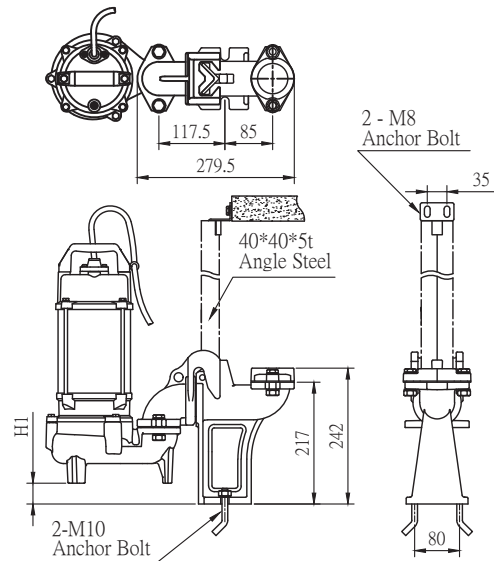


## Guide Rail series

60Hz

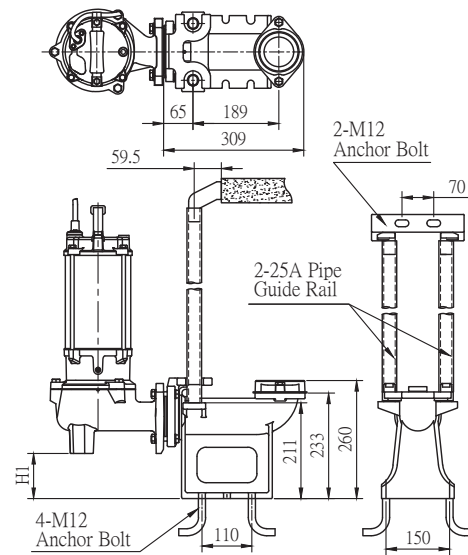
### TS

Guide Rail Model	Model	Dimensions (mm)
		H1
TS 50	SV 05	37.0
	SV 10	



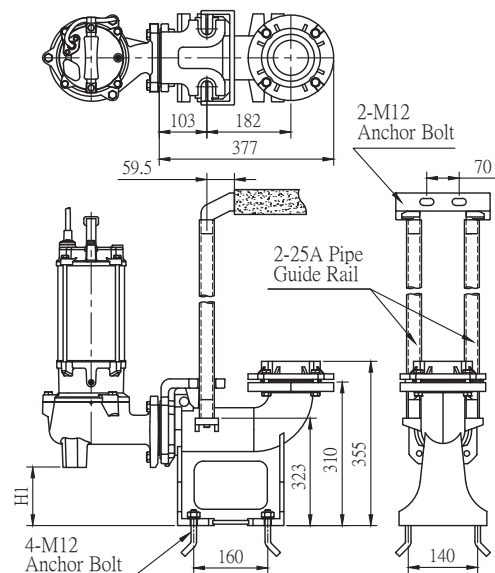
### TM

Guide Rail Model	Model	Dimensions (mm)
		H1
TM 50 TM 80	SV 20E	99.5
	SV 30E	
	SV 50E	



### TL

Guide Rail Model	Model	Dimensions (mm)
		H1
TL 80 TL 100	SV 50E	126.5









[www.sistema.it](http://www.sistema.it)