

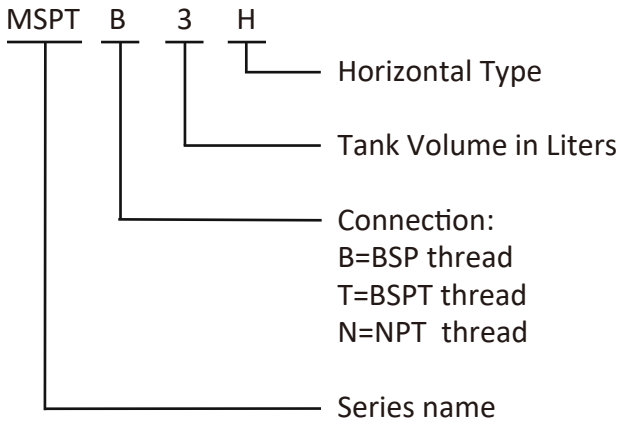


Pressure Tank 16 bar with Diaphragm
Membrane NSF standard

Made in Taiwan



Model code



Features

- NSF Standard
- Polypropylene liner to ensure long durability
- Butyl diaphragm to assure long life and safety
- Corrosion resistant durable baked epoxy coating finish
- Leak free, O-ring sealed air valve cap
- 100% pressure tested
- No maintenance needed
- 304 Stainless Steel water connection

Applications

- Water storage
- Water pressure boosting
- Water transferring

Operation Conditions

- Max.Working Pressure: 16 bar
- Max.Working Temperature: 90°C

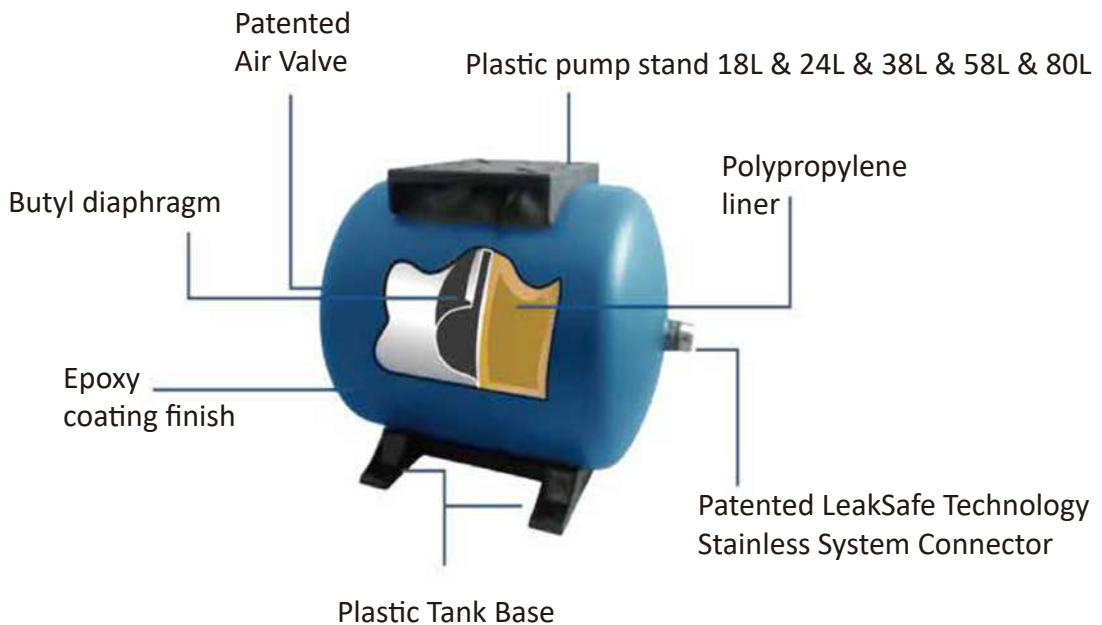


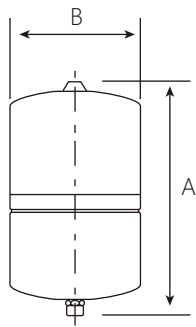
In-Line Type



Vertical Type With Base

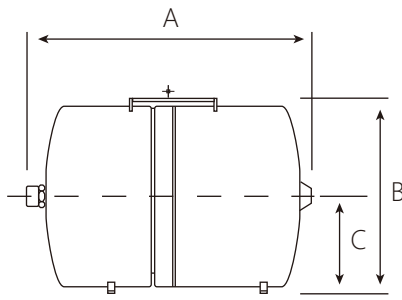
Volume	Type
3 - 38 Liter	In-Line
58 - 450 Liter	Vertical Type With Base
18 - 80 Liter	Horizontal Type With Base





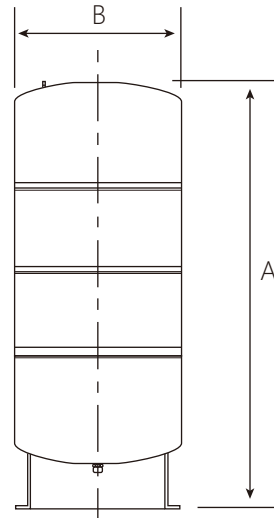
In-line Type

Model	Dimensions(mm)			
	A		B	
	mm	Inch	mm	Inch
MSPT 3	220	8.7	140	5.5
MSPT 8	304	12.0	203	8.0
MSPT12	384	15.1	229	9.0
MSPT18	364	14.3	280	11.0
MSPT24	415	16.3	290	11.4
MSPT38	564	22.2	290	11.4



Horizontal Type With Base

Model	Dimensions(mm)					
	A		B		C	
	mm	Inch	mm	Inch	mm	Inch
MSPT 18H	309	12.2	280	11.0	140	5.5
MSPT 24H	326	12.8	295	11.6	148	5.8
MSPT 38H	326	12.8	295	11.6	148	5.8
MSPT 60H	428	16.9	381	15.0	191	7.5
MSPT 80H	428	16.9	381	15.0	191	7.5



Vertical Type With Base

Model	Dimensions(mm)			
	A		B	
	mm	Inch	mm	Inch
MSPT 58	592	23.4	390	15.3
MSPT 80	770	30.3	390	15.3
MSPT 100	963	37.9	390	15.3
MSPT 120	1148	45.2	390	15.3
MSPT 130	785	30.9	550	21.7
MSPT 160	931	36.7	550	21.7
MSPT 200	1066	42.0	550	21.7
MSPT 235	1196	47.1	550	21.7
MSPT 305	1463	57.6	550	21.7
MSPT 325	1105	45.5	650	25.6
MSPT 450	1410	55.5	650	25.6

Model			Total Tank Volume		Accept Volume		N.W.		G.W		Shipping Volume		Connection	Base	
			In-line Type												
BSP	BSPT	NPT	Liter	Gal	Liter	Gal	Kg	Lbs.	Kg	Lbs.	CUF	CBM	Dimensions	Material	
MSPTB 3	MSPTT 3	MSPTN 3	3	0.5	1.0	0.25	4.1	9.04	4.7	10.4	0.84	0.0238	1" (MALE)	-	
MSPTB 8	MSPTT 8	MSPTN 8	8	2.0	3.5	0.9	2.1	4.6	2.5	5.5	0.52	0.0147	1" (MALE)	-	
MSPTB 12	MSPTT 12	MSPTN 12	12	3.2	6.0	1.6	3.2	7.1	3.5	7.7	0.77	0.0218	1" (MALE)	-	
MSPTB 18	MSPTT 18	MSPTN 18	18	4.5	9.5	2.5	3.7	8.2	4.1	9.0	1.13	0.0320	1" (MALE)	-	
MSPTB 24	MSPTT 24	MSPTN 24	24	6.0	11.5	3.0	4.4	9.7	5.3	11.7	1.51	0.0428	1" (MALE)	-	
MSPTB 38	MSPTT 38	MSPTN 38	38	10	20.0	5.2	6.6	14.6	7.5	16.5	1.94	0.0549	1" (MALE)	-	
Vertical Type With Base															
MSPTB 58	MSPTT 58	MSPTN 58	58	14	42.8	11.3	10.8	23.8	12.1	26.7	3.68	0.1042	1" (FEMALE)	PLASTIC	
MSPTB 80	MSPTT 80	MSPTN 80	80	20	50.0	13.0	15.3	33.7	16.8	37.0	4.81	0.1362	1" (FEMALE)	PLASTIC	
MSPTB 100	MSPTT 100	MSPTN 100	100	28	58.5	15.0	19.9	43.9	21.7	47.8	6.00	0.1699	1" (FEMALE)	PLASTIC	
MSPTB 120	MSPTT 120	MSPTN 120	120	32	58.8	15.0	24.1	53.1	26.7	58.9	6.77	0.1917	1" (FEMALE)	PLASTIC	
MSPTB 130	MSPTT 130	MSPTN 130	130	34	85.6	22.5	24.0	52.9	27.0	59.5	8.42	0.2384	1" -1/4"(FEMALE)	STEEL	
MSPTB 160	MSPTT 160	MSPTN 160	160	44	115	30.0	27.3	60.2	30.6	67.5	10.19	0.2885	1" -1/4"(FEMALE)	STEEL	
MSPTB 200	MSPTT 200	MSPTN 200	200	53	128	33.8	32.8	72.3	36.1	79.6	12.01	0.3401	1" -1/4"(FEMALE)	STEEL	
MSPTB 235	MSPTT 235	MSPTN 235	235	62	140	35.2	39.4	86.9	42.2	93.0	13.07	0.3701	1" -1/4"(FEMALE)	STEEL	
MSPTB 305	MSPTT 305	MSPTN 305	305	81	167	44.0	48.2	106	54.2	119	16.28	0.4610	1" -1/4"(FEMALE)	STEEL	
MSPTB 325	MSPTT 325	MSPTN 325	325	86	228	60.2	55.3	121.9	61.3	135.1	17.51	0.4958	1" -1/4"(FEMALE)	STEEL	
MSPTB 450	MSPTT 450	MSPTN 450	450	120	360	95.1	65.7	144	70.7	155	24.20	0.6853	1" -1/4"(FEMALE)	STEEL	
Horizontal Type With Base															
MSPTB 18H	MSPTT 18H	MSPTN 18H	18	4.5	9.5	2.5	5.0	11.0	5.4	11.9	1.32	0.0373	1" (MALE)	PLASTIC	
MSPTB 24H	MSPTT 24H	MSPTN 24H	24	6.0	11.5	3.0	6.0	13.2	6.5	14.3	1.55	0.0439	1" (MALE)	PLASTIC	
MSPTB 38H	MSPTT 38H	MSPTN 38H	38	10	20.0	5.2	8.0	17.6	8.5	18.7	2.19	0.0620	1" (MALE)	PLASTIC	
MSPTB 58H	MSPTT 58H	MSPTN 58H	58	14	42.8	11.3	12.7	28.0	12.8	28.2	3.43	0.0971	1" (MALE)	PLASTIC	
MSPTB 80H	MSPTT 80H	MSPTN 80H	80	20	50.0	13.0	16.3	35.9	17.2	37.9	4.71	0.1334	1" (MALE)	PLASTIC	

• Factory Precharge:58 PSI / 4bar



www.sistema.it