



6", 8" Radial Submersible Pumps in Casted Stainless Steel

Made in Italy



Catalogo 50 Hz



RADIAL SUBMERSIBLE PUMP - IN AISI 304 CASTED STAINLESS STEEL

6"/8' SUBMERSIBLE RADIAL PUMPS SERIES 140/180 RX, IN AISI 304 CASTED STAINLESS STEEL

Radial submersible pumps thanks to the design of impellers and diffusers are suitable for mid capacities up to high Head values. Suitable for clean water supply in domestic, industrial, pressure boosters, firefighting systems, irrigation and water system networks.

ADVANTAGES:

Sistema innovative design and the most advanced micro casting technologies allow:

- High efficiency
- Longer life
- Easy assembly/ disassembly
- Low maintenance
- Low operating cost

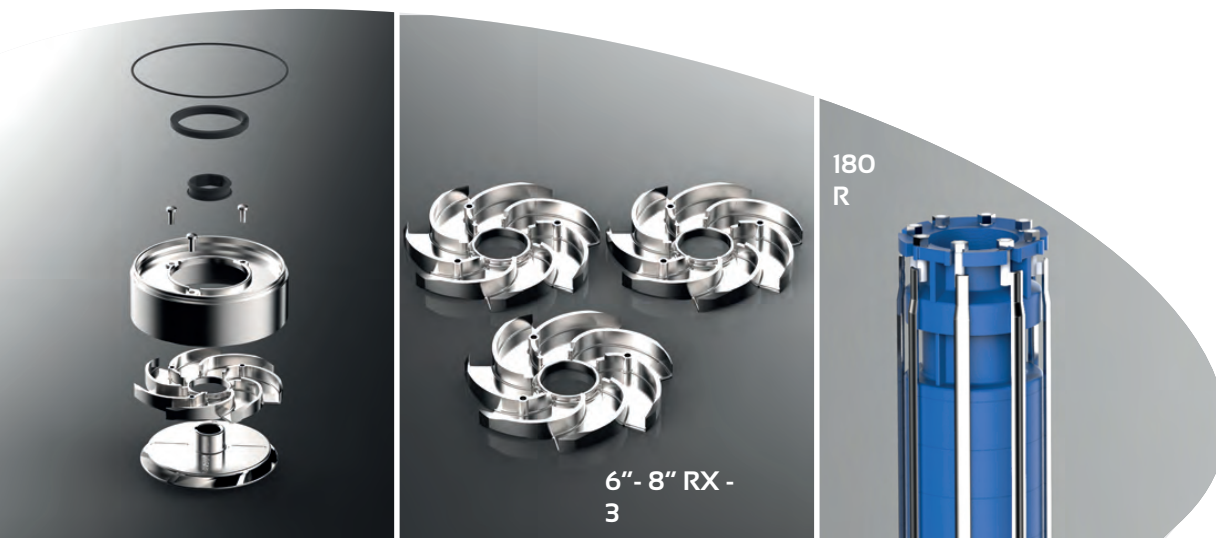
MATERIALS

- Impellers, diffusers, intermediate element, suction cage and delivery bowl in AISI 304 casted stainless steel
- Pump shaft in AISI 304 stainless steel
- Wear rings, valve seal in NBR

HYDRAULIC PERFORMANCES

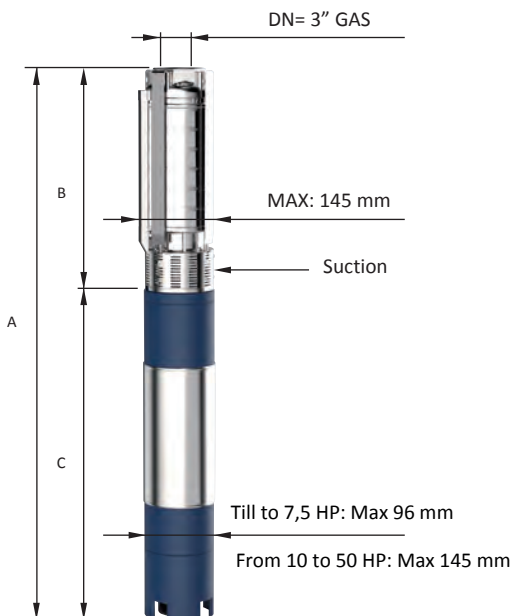
- Capacity up to 78 m³/h
- Head up to 620 m
- Power up to 75 kW
- Maximum sand tolerance : 50g/m³
- Maximum depth : 350 meters.

Tolerance according to EN UNI-ISO 9906



6" 140 RX 18 RADIAL SUBMERSIBLE PUMP - IN AISI 304 CASTED STAINLESS STEEL

Motor				50 Hz - 2900 rpm									Q = Capacity						
Type	Power		V 400	l/min	0	150	200	250	300	350	400	450							
	kW	HP	A	l/sec	0	2,50	3,33	4,17	5,00	5,83	6,67	7,50							
				m³/h	0	9	12	15	18	21	24	27							
140 RX 18/03	3	4	7,5	H[m]	50	47	44	41	37	32	26	20							
140 RX 18/04	4	5,5	10		66	62	59	55	49	42	34	26							
140 RX 18/06	5,50	7,5	12,5		99	93	89	83	74	63	51	39							
140 RX 18/08	7,50	10	17,5		132	124	118	110	98	84	68	52							
140 RX 18/10	9,20	12,5	21		165	155	148	138	123	105	85	65							
140 RX 18/12	11	15	24,5		198	186	178	165	148	126	102	78							
140 RX 18/14	13	17,5	28		231	217	207	193	172	147	119	91							
140 RX 18/16	15	20	32		264	248	237	220	197	168	136	104							
140 RX 18/20	18,50	25	40		330	310	296	275	246	210	170	130							
140 RX 18/24	22	30	47,5		396	372	355	330	295	252	204	156							
140 RX 18/28	26	35	55		462	434	414	385	344	294	238	182							
140 RX 18/32	30	40	62,5		528	496	474	440	394	336	272	208							
140 RX 18/40	37	50	78		660	620	592	550	492	420	340	260							



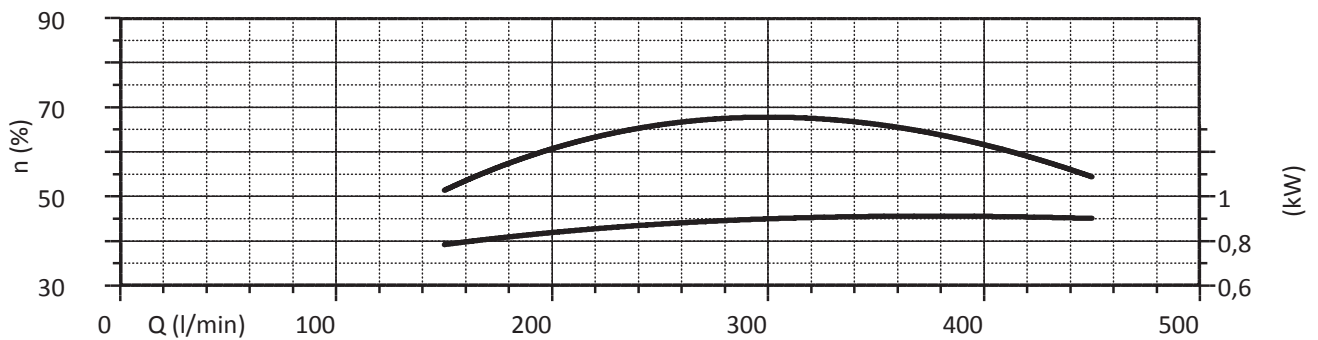
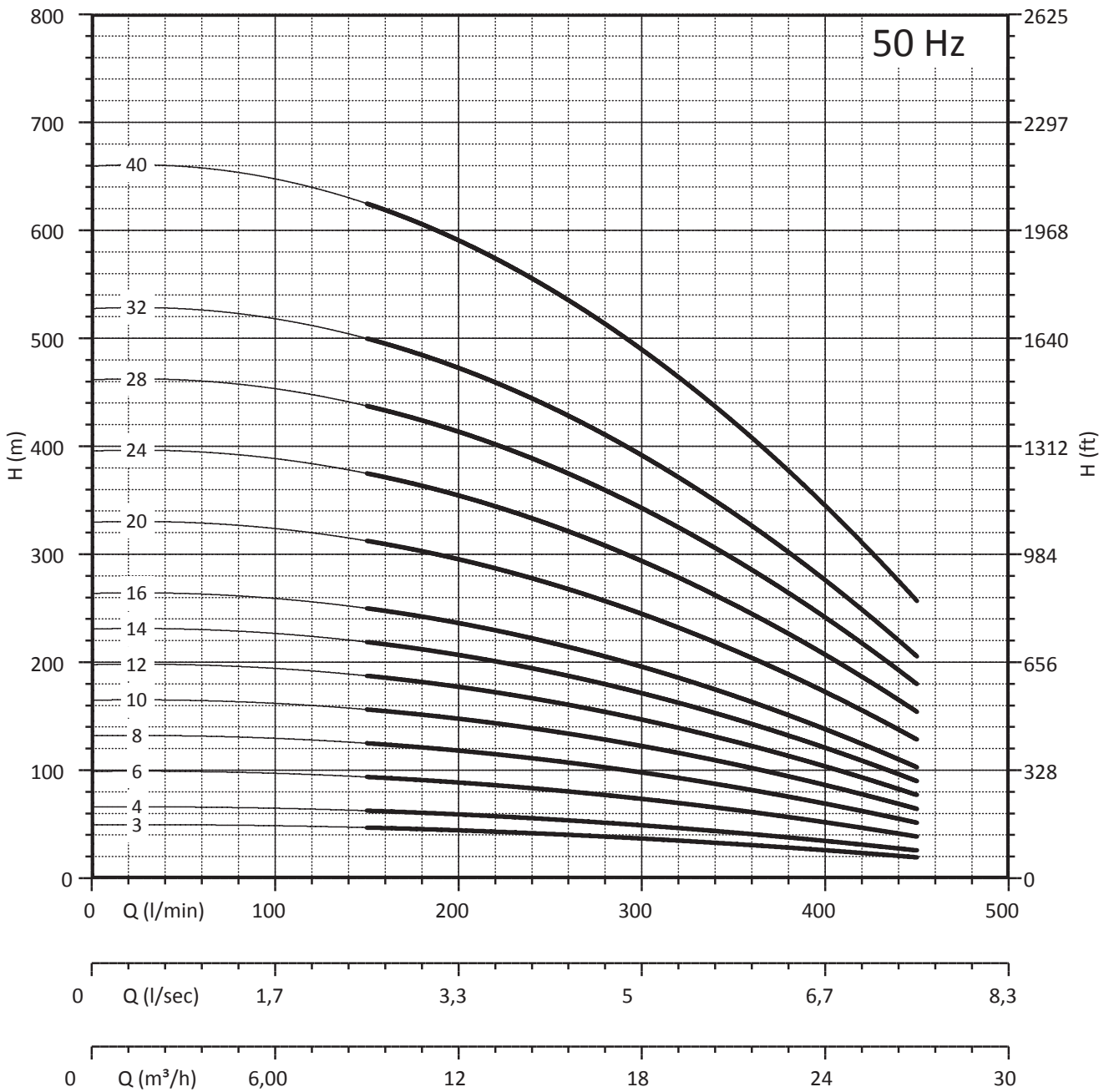
Motor 50 Hz - 2900 rpm	Overall dimensions and weights				
Tipo - Type	A mm Tri	B mm	C mm Tri	M kg Tri	P kg
140 RX 18/03	937	380	557	19	12
140 RX 18/04	1016	419	597	22	14
140 RX 18/06	1195	497	698	27	18
140 RX 18/08	1393	575	818	32	22
140 RX 18/10	1404	653	751	60	26
140 RX 18/12	1542	731	811	65	30
140 RX 18/14	1650	809	841	70	34
140 RX 18/16	1818	887	931	75	38
140 RX 18/20	2034	1043	991	83	46
140 RX 18/24	2270	1199	1071	92	54
140 RX 18/28	2536	1355	1181	100	62
140 RX 18/32	2762	1511	1251	108	70
140 RX 18/40	3164	1823	1341	118	86

n% = Pump efficiency
kW/st = Stage absorption

Max 68%
Max 0,92

Sand tolerance 50 g/m³ - Drinking water compatibility according to DM 174
MEI ≥ 0,4 (regulation EU N. 547/2012)
Tolerances according to UNI ISO 9906 grade 3B

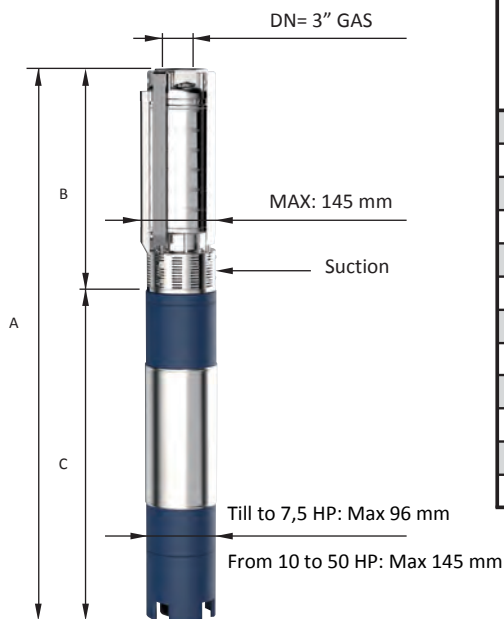
PERFORMANCE CURVES



NPSH (m)	25%	50%	75%	100%
140 RX 18	3	3	4	6

6" 140 RX 21 RADIAL SUBMERSIBLE PUMP - IN AISI 304 CASTED STAINLESS STEEL

Motor		50 Hz - 2900 rpm			Q = Capacity							
Type	Power		V 400	l/min	0	200	250	300	350	400	450	500
	kW	HP	A	l/sec	0	3,33	4,17	5	5,83	6,67	7,50	8,33
				m³/h	0	12	15	18	21	24	27	30
140 RX 21/03	4	5,5	10	H[m]	50	46	43	39	35	30	25	19
140 RX 21/05	5,50	7,5	12,5		83	77	72	66	59	51	42	31
140 RX 21/07	7,50	10	17,5		116	108	101	92	82	71	58	43
140 RX 21/08	9,20	12,5	21		132	123	115	105	94	81	66	50
140 RX 21/10	11	15	24,5		165	154	144	131	117	101	83	62
140 RX 21/12	13	17,5	28		198	185	173	157	140	121	100	74
140 RX 21/14	15	20	32		231	216	202	183	164	141	116	87
140 RX 21/17	18,50	25	40		281	262	245	223	199	172	141	105
140 RX 21/20	22	30	47,5		330	308	288	262	234	202	166	124
140 RX 21/24	26	35	55		396	370	346	314	281	242	199	149
140 RX 21/27	30	40	62,5		446	416	389	354	316	273	224	167
140 RX 21/34	37	50	78		561	524	490	445	398	343	282	211



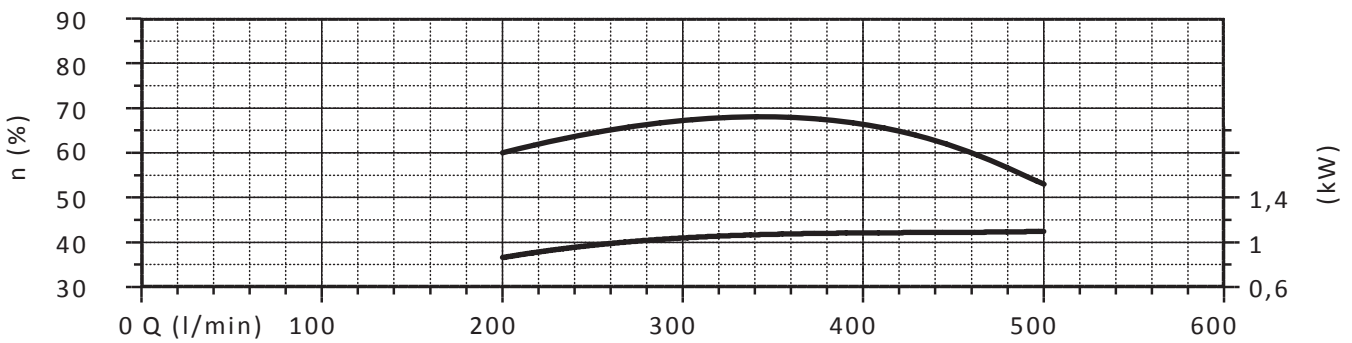
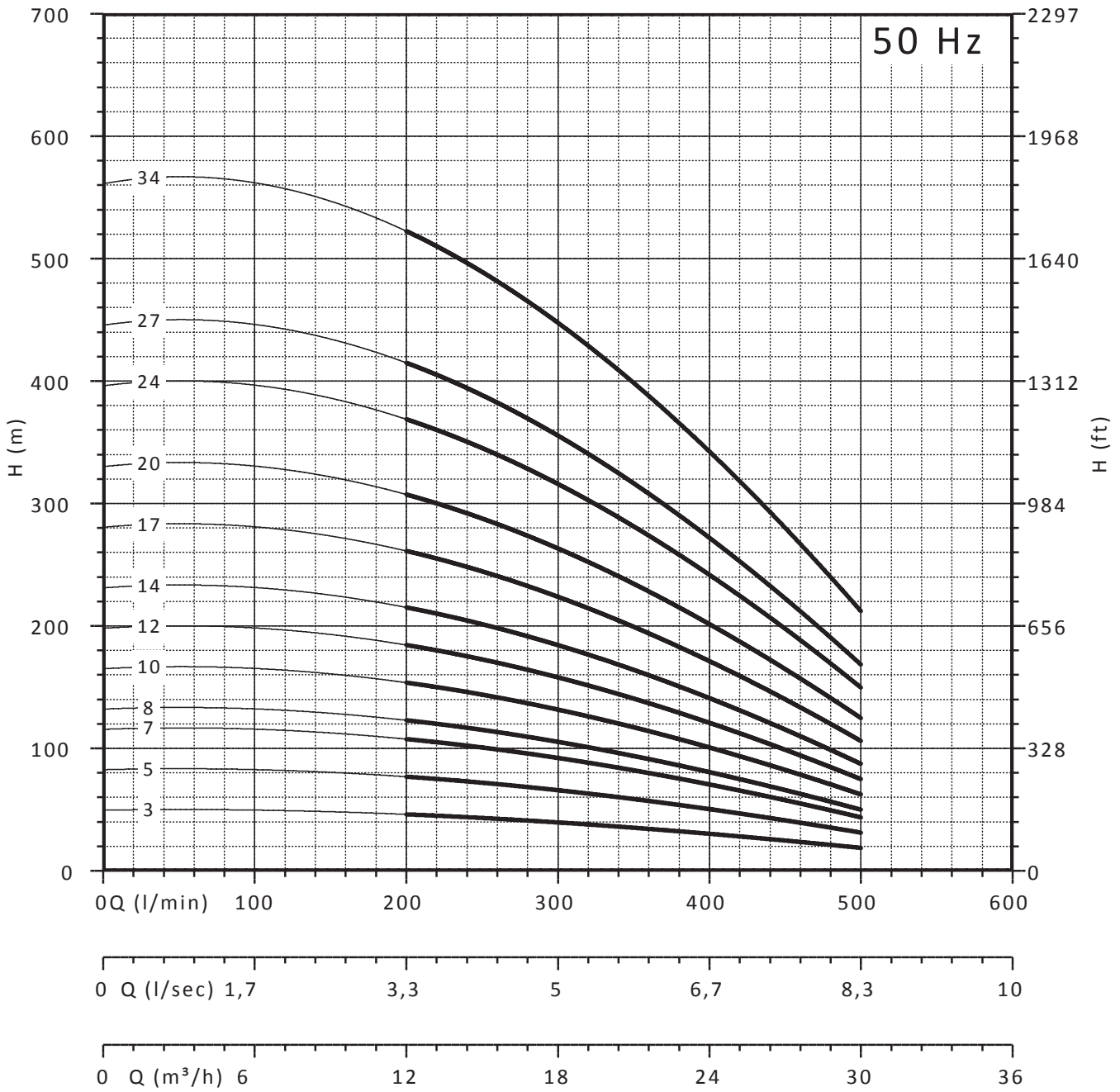
Motor 50 Hz - 2900 rpm	Overall dimensions and weights				
Type	A mm Tri	B mm	C mm Tri	M kg Tri	P kg
140 RX 21/03	977	380	597	22	12
140 RX 21/05	1156	458	698	27	17
140 RX 21/07	1354	536	818	32	21
140 RX 21/08	1326	575	751	60	23
140 RX 21/10	1464	653	811	65	28
140 RX 21/12	1572	731	841	70	32
140 RX 21/14	1740	809	931	75	36
140 RX 21/17	1917	926	991	83	43
140 RX 21/20	2114	1043	1071	92	50
140 RX 21/24	2380	1199	1181	100	58
140 RX 21/27	2567	1316	1251	108	65
140 RX 21/34	2930	1589	1341	118	80

n% = Pump efficiency
kW/st = Stage absorption

Max 68,5%
Max 1,06

Sand tolerance 50 g/m³ - Drinking water compatibility according to DM 174
MEI ≥ 0,4 (regulation EU N. 547/2012)
Tolerances according to UNI ISO 9906 grade 3B

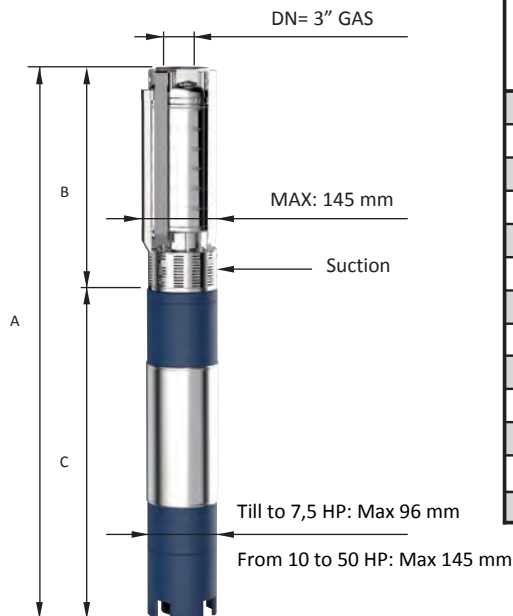
PERFORMANCE CURVES



NPSH (m)	25%	50%	75%	100%
140 RX 21	3	3	4,2	6,3

6" 140 RX 24 RADIAL SUBMERSIBLE PUMP - IN AISI 304 CASTED STAINLESS STEEL

Motor		50 Hz - 2900 rpm			Q = Capacity					
Type	Power		V 400	l/min	0	200	300	400	500	600
	kW	HP	A	l/sec	0	3,33	5	6,67	8,33	10
				m³/h	0	12	18,0	24	30	36
140RX 24/02	2,20	3	5,5	H[m]	30	29	26	23	17	11
140RX 24/03	4	5,5	10		45	43	39	34	26	17
140RX 24/05	5,50	7,5	12,5		76	72	66	57	44	29
140 RX 24/07	7,50	10	17,5		106	101	92	80	61	40
140 RX 24/08	9,20	12,5	21		121	115	105	91	70	46
140 RX 24/10	11	15	24,5		151	144	131	114	87	57
140 RX 24/12	13	17,5	28		181	173	157	137	104	68
140 RX 24/14	15	20	32		211	202	183	160	122	80
140 RX 24/17	18,50	25	40		257	245	223	194	148	97
140 RX 24/20	22	30	47		302	288	262	228	174	114
140 RX 24/24	26	35	55		362	346	314	274	209	137
140 RX 24/27	30	40	62,5		408	389	354	308	235	154
140 RX 24/33	37	50	78		498	475	432	376	287	188

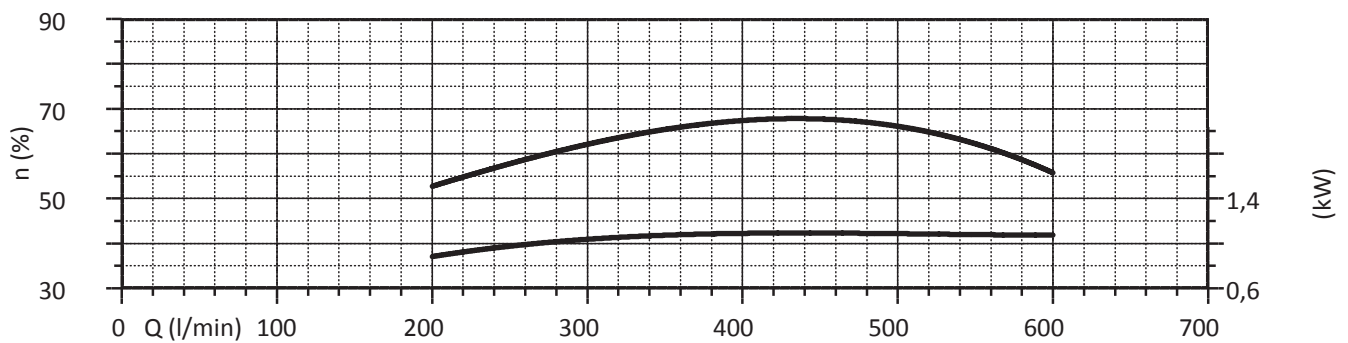
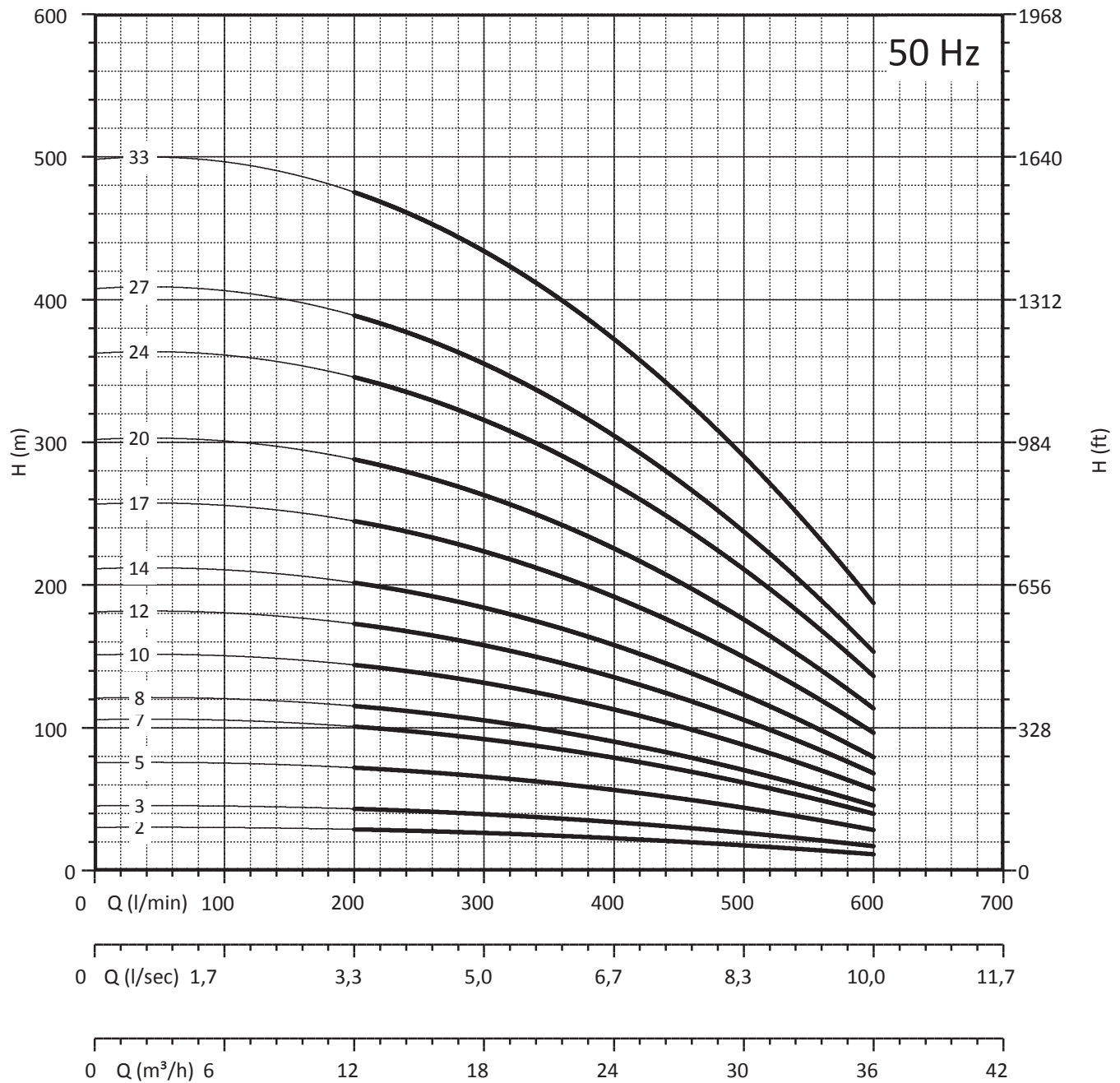


Motor 50 Hz - 2900 rpm	Overall dimensions and weights				
Type	A mm Tri	B mm	C mm Tri	M kg Tri	P kg
140 RX 24/02	803	351	452	15	10
140 RX 24/03	992	395	597	22	12
140 RX 24/05	1181	483	698	27	17
140 RX 24/07	1389	571	818	32	21
140 RX 24/08	1366	615	751	60	23
140 RX 24/10	1514	703	811	65	28
140 RX 24/12	1632	791	841	70	32
140 RX 24/14	1710	879	831	75	36
140 RX 24/17	2002	1011	991	83	43
140 RX 24/20	2214	1143	1071	92	50
140 RX 24/24	2500	1319	1181	100	58
140 RX 24/27	2702	1451	1251	108	65
140 RX 24/33	3056	1715	1341	118	78

n% = Pump efficiency
kW/st = Stage absorption

Max 69%
Max 1,10

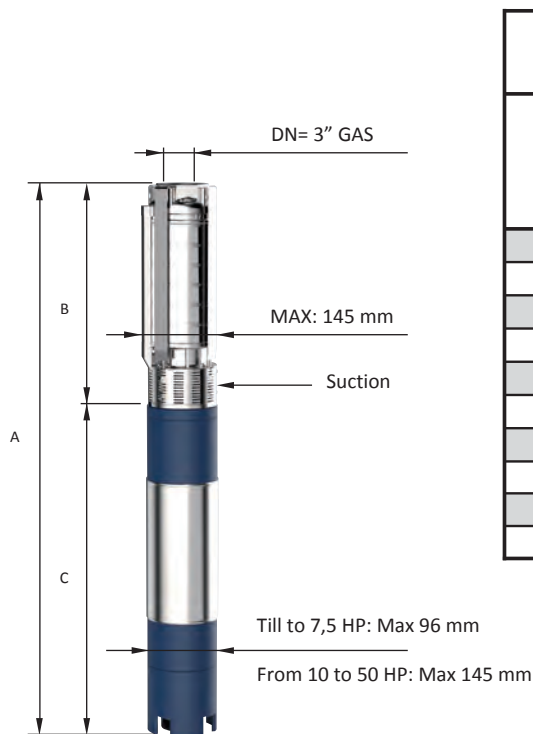
PERFORMANCE CURVES



NPSH (m)	25%	50%	75%	100%
140 RX 24	3	3	4,5	6,6

6" 140 RX 35 RADIAL SUBMERSIBLE PUMP - IN AISI 304 CASTED STAINLESS STEEL

Motor				Q = Capacity						
Type	50 Hz - 2900 rpm		V 400	l/min	0	400	500	600	700	800
	Power				l/sec	0	6,67	8,33	10	11,67
	kW	HP	A	m³/h	0	24	30	36	42	48
140 RX 35/03	7,50	10	17,5	H[m]	51	48	45	41	36	30
140 RX 35/04	9,20	12,5	21		68	64	60	55	48	40
140 RX 35/05	11	15	24,5		85	80	76	69	60	50
140 RX 35/06	13	17,5	28		102	96	91	82	72	60
140 RX 35/07	15	20	32		119	112	106	96	84	70
140 RX 35/09	18,50	25	40		153	144	136	123	108	90
140 RX 35/11	22	30	47,5		187	176	166	151	132	110
140 RX 35/13	26	35	55		221	208	196	178	156	130
140 RX 35/15	30	40	62,5		255	240	227	206	180	150
140 RX 35/18	37	50	78		306	288	273	247	216	180



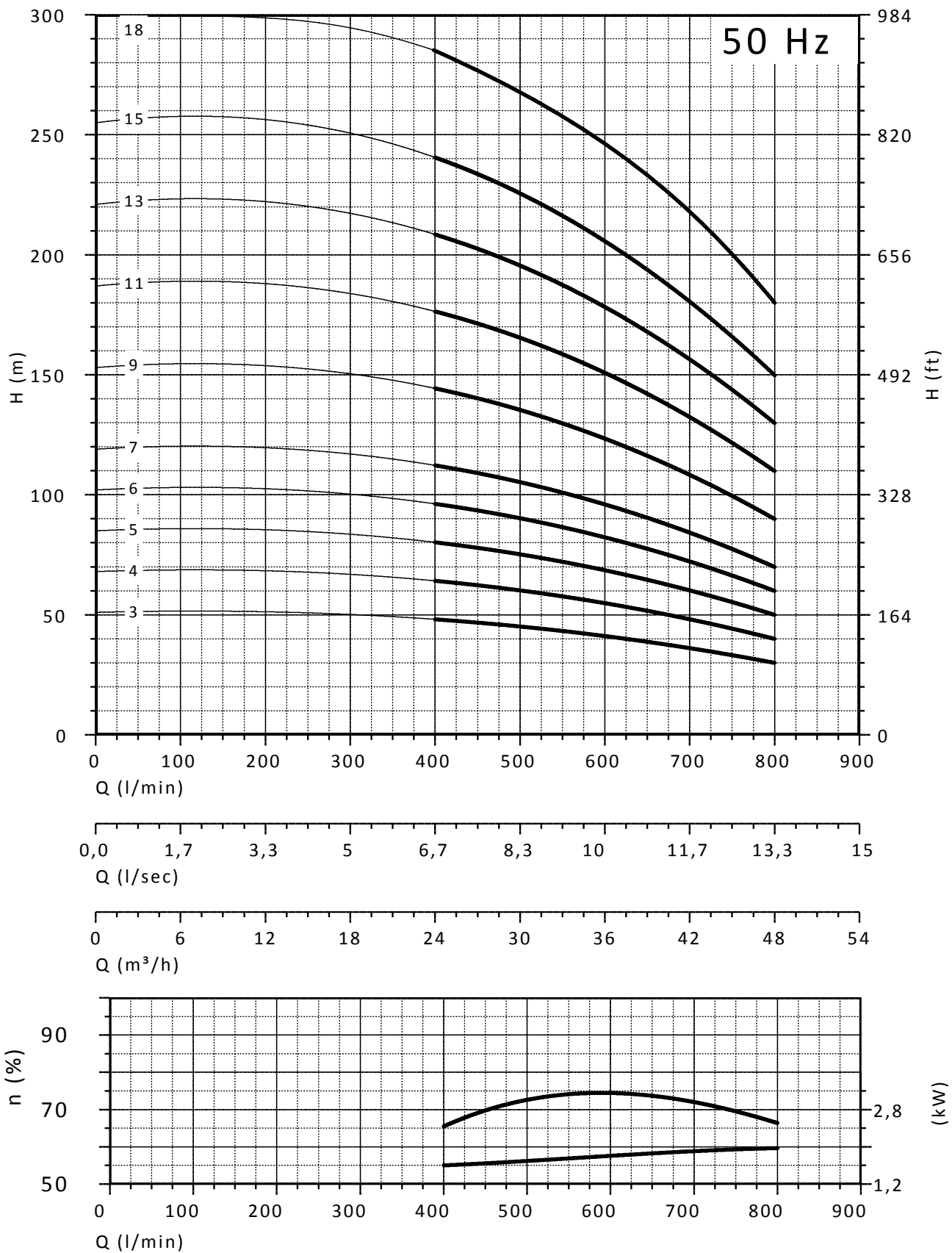
Motor 50 Hz - 2900 rpm	Overall dimensions and weights				
Type	A mm Tri	B mm	C mm Tri	M kg Tri	P kg
140 RX 35/03	1153	452	701	55	13
140 RX 35/04	1266	515	751	60	15,5
140 RX 35/05	1389	578	811	65	18
140 RX 35/06	1482	641	841	70	20,5
140 RX 35/07	1635	704	931	75	23
140 RX 35/09	1821	830	991	83	28
140 RX 35/11	2027	956	1071	92	33
140 RX 35/13	2263	1082	1181	100	38
140 RX 35/15	2459	1208	1251	108	43
140 RX 35/18	2738	1397	1341	118	47

n% = Pump efficiency
kW/st = Stage absorption

Max 74,6%
Max 1,97

Sand tolerance 50 g/m³ - Drinking water compatibility according to DM 174
MEI ≥ 0,4 (regulation EU N. 547/2012)
Tolerances according to UNI ISO 9906 grade 3B

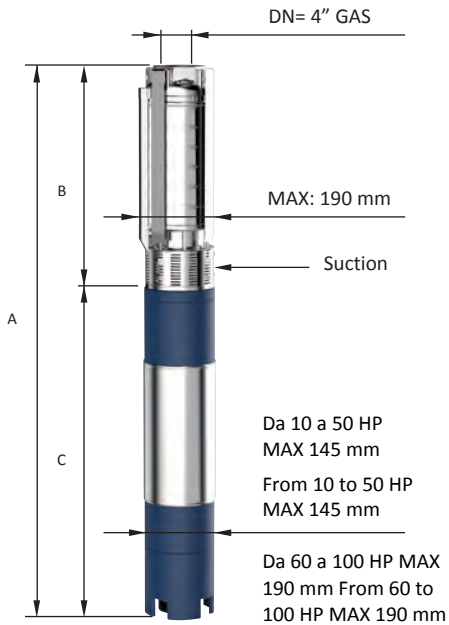
PERFORMANCE CURVES



NPSH (m)	25%	50%	75%	100%
140 RX 35	3,4	3,4	3,8	8

8" 180 RX 27 RADIAL SUBMERSIBLE PUMP - IN AISI 304 CASTED STAINLESS STEEL

Motor				Q = Capacity								
Type	Power		V	l/min	0	300	350	400	450	500	550	600
	kW	HP	400		l/sec	0	5	5,83	6,67	7,50	8,33	9,17
			A	m³/h	0	18	21	24	27	30	33	36
180 RX 27/04	9,20	12,5	21	H[m]	102	91	85	81	76	70	62	56
180 RX 27/05	11	15	24,5		128	114	106	101	95	88	78	70
180 RX 27/06	13	17,5	28		153	137	128	122	114	105	93	84
180 RX 27/07	15	20	32		179	159	149	142	133	123	109	98
180 RX 27/09	18,50	25	40		230	205	191	182	171	158	140	126
180 RX 27/10	22	30	47,5		255	228	213	203	190	175	155	140
180 RX 27/12	26	35	55		306	273	255	243	228	210	186	168
180 RX 27/15	30	40	62,5		383	341	319	304	285	263	233	210
180 RX 27/18	37	50	78		459	410	383	365	342	315	279	252
180 RX 27/22	44	60	92		561	501	468	446	418	385	341	308
180 RX 27/27	55	75	113,5		689	614	574	547	513	473	419	378



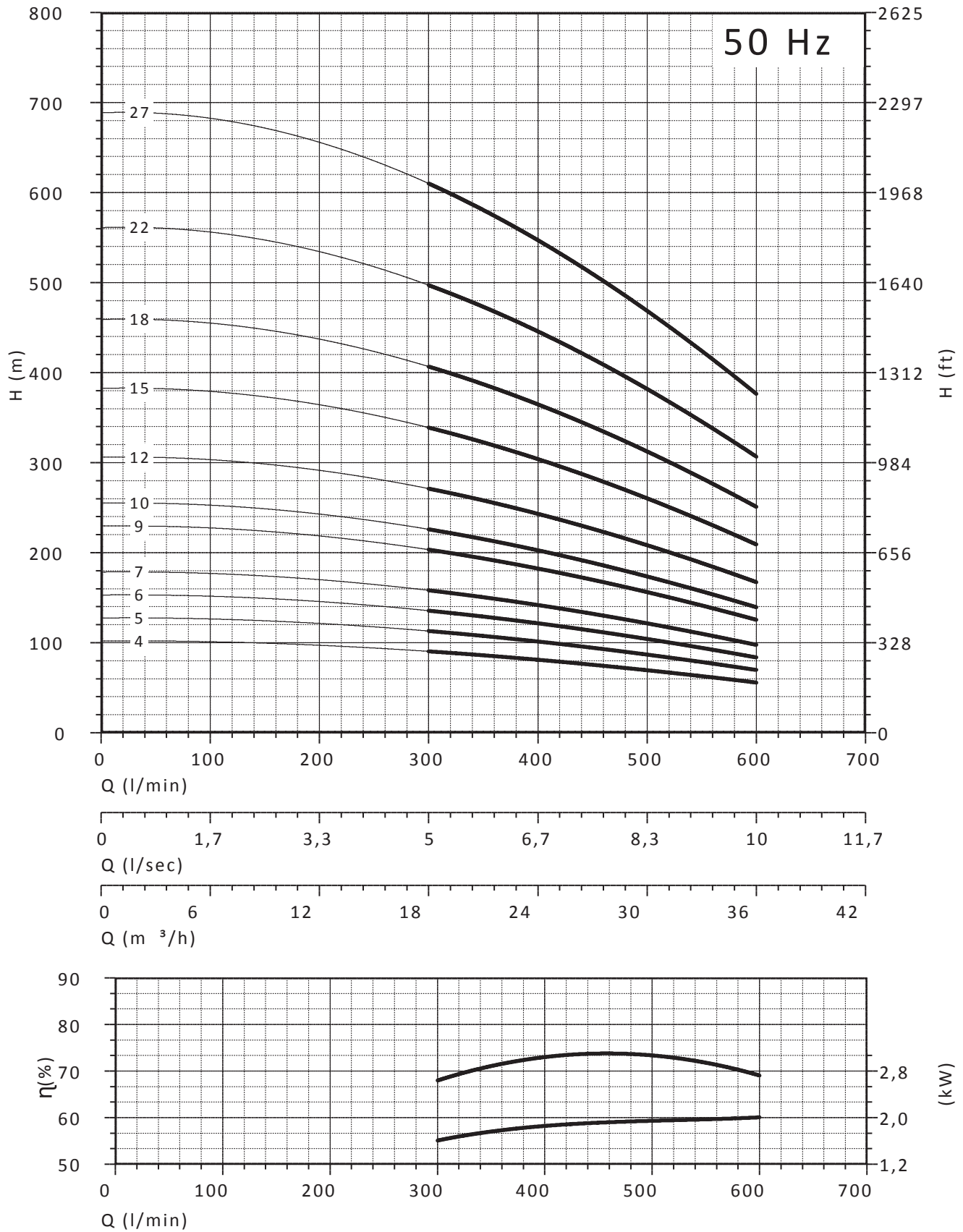
Motor 50 Hz - 2900 rpm	Overall dimensions and weights				
Type	A mm Tri	B mm	C mm Tri	M kg Tri	P kg
180 RX 27/04	1296	545	751	60	28
180 RX 27/05	1406	595	811	65	32
180 RX 27/06	1486	645	841	70	35
180 RX 27/07	1626	695	931	75	39
180 RX 27/09	1786	795	991	83	46
180 RX 27/10	1916	845	1071	92	49
180 RX 27/12	2126	945	1181	100	56
180 RX 27/15	2346	1095	1251	108	67
180 RX 27/18	2586	1245	1341	118	77
180 RX 27/22	2755	1445	1310	200	91
180 RX 27/27	3155	1695	1460	216	109

n% = Pump efficiency
kW/st = Stage absorption

Max 74%
Max 2

Sand tolerance 50 g/m³ - Drinking water compatibility according to DM 174
MEI ≥ 0,4 (regulation EU N. 547/2012)
Tolerances according to UNI ISO 9906 grade 3B

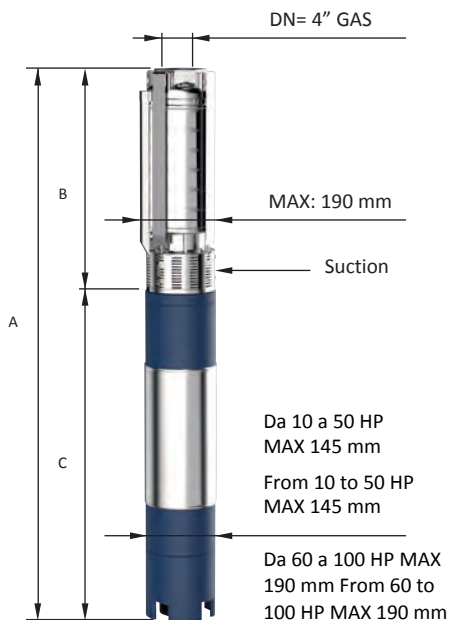
PERFORMANCE CURVES



NPSH (m)	25%	50%	75%	100%
180 RX 27	3	3	4,5	6,6

8" 180 RX 36 RADIAL SUBMERSIBLE PUMP - IN AISI 304 CASTED STAINLESS STEEL

Motor				50 Hz - 2900 rpm								Q = Capacity							
Type	Power		V 400	l/min	0	400	500	600	700	800	900	H[m]	0	6,67	8,33	10	11,67	13,33	15
	kW	HP	A	l/sec	0	24,0	30	36	42	48	54								
180 RX 36/03	9,20	12,5	21	78	74	69	62	55	46	38									
180 RX 36/04	13	17,5	28	104	99	92	83	73	61	51									
180 RX 36/05	15	20	32	130	123	115	103	92	77	63									
180 RX 36/06	18,50	25	40	156	148	138	124	110	92	76									
180 RX 36/07	22	30	47,5	182	173	161	145	128	107	89									
180 RX 36/09	26	35	55	234	222	207	186	165	138	114									
180 RX 36/10	30	40	62,5	260	247	230	207	183	153	127									
180 RX 36/12	37	50	78	312	296	276	248	220	184	152									
180 RX 36/15	44	60	92	390	370	345	310	275	230	190									
180 RX 36/18	55	75	113,5	468	444	414	372	330	276	228									
180 RX 36/24	75	100	149,5	624	592	552	496	440	368	304									



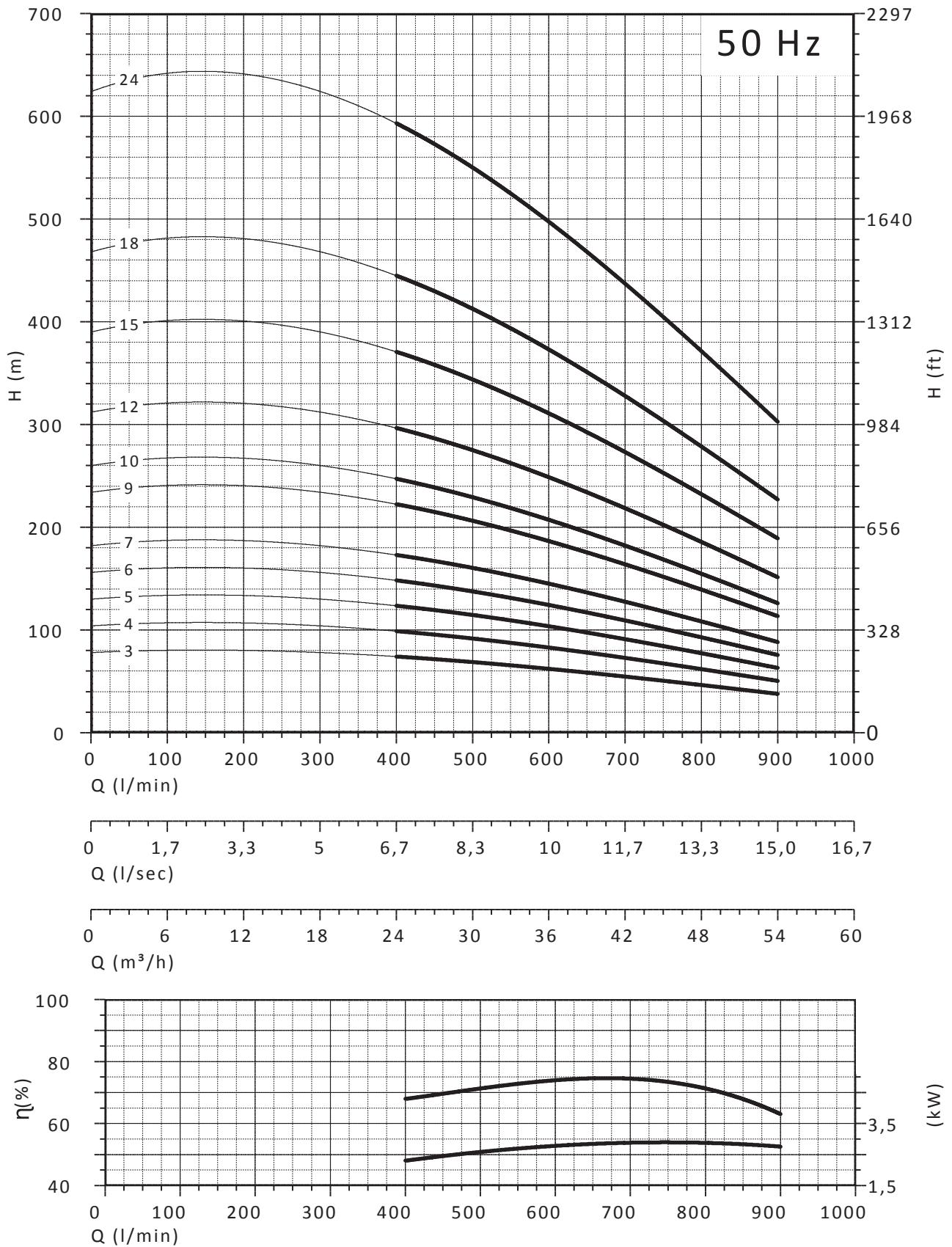
Motor	Overall dimensions and weights				
50 Hz - 2900 rpm	A	B	C	M	P
Type	mm	mm	mm	kg	kg
	Tri		Tri	Tri	
180 RX 36/03	1213	462	751	60	25
180 RX 36/04	1386	545	841	70	28
180 RX 36/05	1526	595	931	75	32
180 RX 36/06	1636	645	991	83	35
180 RX 36/07	1766	695	1071	92	39
180 RX 36/09	1976	795	1181	100	46
180 RX 36/10	2096	845	1251	108	49
180 RX 36/12	2286	945	1341	118	56
180 RX 36/15	2405	1095	1310	200	67
180 RX 36/18	2705	1245	1460	216	77
180 RX 36/24	3255	1545	1710	286	98

n% = Pump efficiency
kW/st = Stage absorption

Max 75%
Max 2,90

Sand tolerance 50 g/m³ - Drinking water compatibility according to DM 174
MEI ≥ 0,4 (regulation EU N. 547/2012)
Tolerances according to UNI ISO 9906 grade 3B

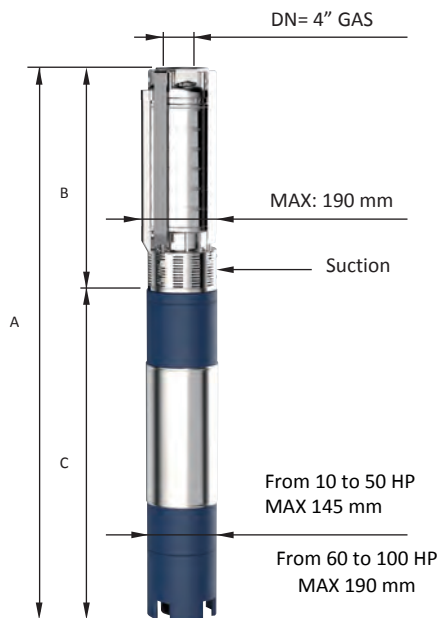
PERFORMANCE CURVES



NPSH (m)	25%	50%	75%	100%
180 RX 36	3,4	3,4	3,8	8

8" 180 RX 50 RADIAL SUBMERSIBLE PUMP - IN AISI 304 CASTED STAINLESS STEEL

Motor		50 Hz - 2900 rpm			Q = Capacity								
Type	Power		V 400	l/min	0	600	700	800	900	1000	1100	1200	1300
	kW	HP	A	l/sec	0	10	11,67	13,33	15	16,67	18,33	20	21,67
				m³/h	0	36	42	48	54	60	66	72	78
180 RX 50/03	13	17,5	28	H[m]	72	66	65	60	56	51	46	39	32
180 RX 50/04	18,50	25	40		96	88	87	80	75	68	61	52	43
180 RX 50/05	22	30	47,5		120	110	108	100	93	85	77	65	54
180 RX 50/06	26	35	55		144	132	130	120	112	102	92	78	65
180 RX 50/07	30	40	62,5		168	154	152	140	131	119	107	91	76
180 RX 50/09	37	50	78		216	198	195	180	168	153	138	117	97
180 RX 50/11	44	60	92		264	242	238	220	205	187	169	143	119
180 RX 50/14	55	75	113,5		336	308	303	280	261	238	215	182	152
180 RX 50/15	66	90	134,5		360	330	325	300	280	255	230	195	162
180 RX 50/16	66	90	134,5		384	352	347	320	299	272	245	208	173
180 RX 50/17	75	100	149,5		408	374	368	340	317	289	261	221	184
180 RX 50/18	75	100	149,5		432	396	390	360	336	306	276	234	195



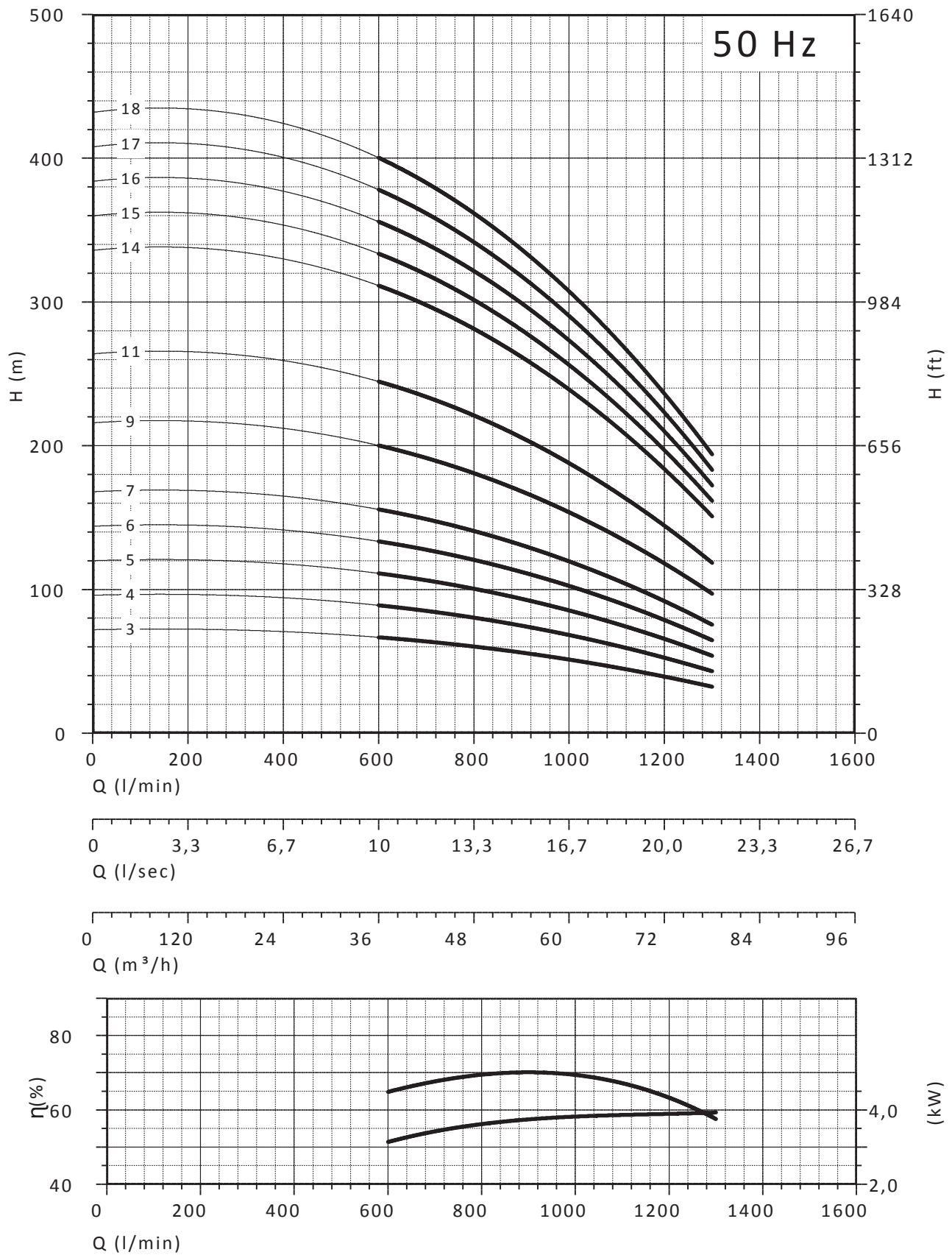
Motor 50 Hz - 2900 rpm	Overall dimensions and weights				
Type	A mm Tri	B mm	C mm Tri	M kg Tri	P kg
180 RX 50/03	1354	513	841	70	26
180 RX 50/04	1560	569	991	83	30
180 RX 50/05	1696	625	1071	92	35
180 RX 50/06	1862	681	1181	100	39
180 RX 50/07	1988	737	1251	108	43
180 RX 50/09	2079	849	1230	190	51
180 RX 50/11	2271	961	1310	200	59
180 RX 50/14	2589	1129	1460	216	71
180 RX 50/15	2795	1185	1610	260	76
180 RX 50/16	2851	1241	1610	260	80
180 RX 50/17	3007	1297	1710	286	84
180 RX 50/18	3063	1353	1710	286	88

n% = Pump efficiency
kW/st = Stage absorption

Max 70,5%
Max 3,95

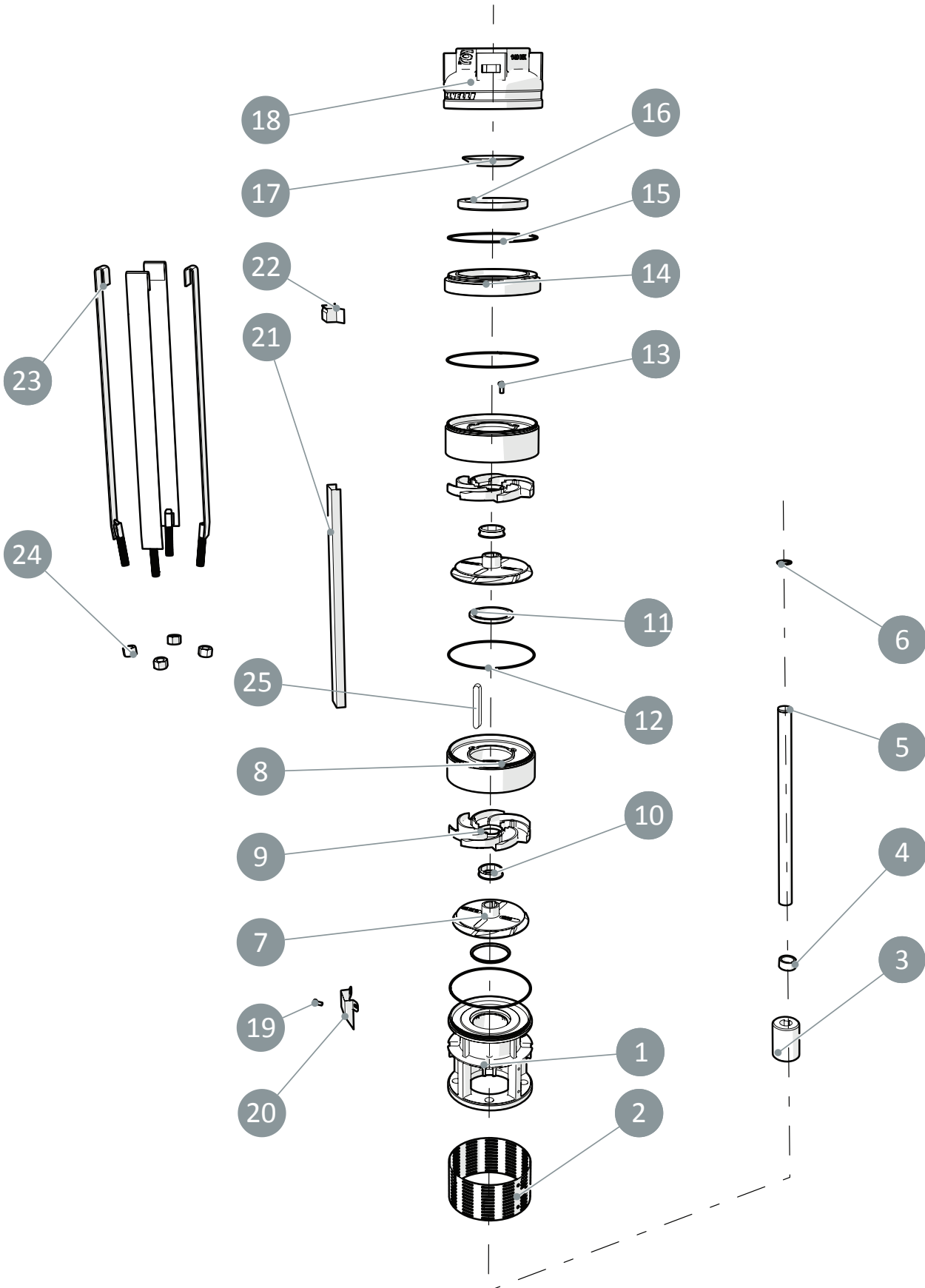
Sand tolerance 50 g/m³ - Drinking water compatibility according to DM 174
MEI ≥ 0,4 (regulation EU N. 547/2012)
Tolerances according to UNI ISO 9906 grade 3B

PERFORMANCE CURVES



NPSH (m)	25%	50%	75%	100%
180 RX 50	3,5	3,55	3,8	7

6" 140 RX SERIES' SPARE PARTS



6" 140 RX SERIES' SPARE PARTS

140 RX				
N.CODE	DESCRIZIONE (Italiano)	MATERIALE (Italiano)	DESCRIPTION (English)	MATERIAL (English)
1	GABBIA DI ASPIRAZIONE	ACCIAIO INOX AISI 304	SUCTION CAGE	AISI 304
2	SUCCHERUOLA	ACCIAIO INOX AISI 304	SUCTION STRAINER	AISI 304
3	GIUNTO DI TRAINO	ACCIAIO INOX AISI 304	JOINT	AISI 304
4	DISTANZIATORE PRIMA GIRANTE	POLICARBONATO	SPACER FIRST IMPELLER	POLYCARBONATE
5	ALBERO POMPA	ACCIAIO INOX AISI 304	PUMP SHAFT	AISI 304
6	SEEGER	ACCIAIO INOX AISI 304	SEEGER	AISI 304
7	GIRANTE	ACCIAIO INOX AISI 304	IMPELLER	AISI 304
8	ELEMENTO INTERMEDIO	ACCIAIO INOX AISI 304	INTERMEDIATE CASING	AISI 304
9	DIFFUSORE	ACCIAIO INOX AISI 304	DIFFUSEUR	AISI 304
10	BRONZINA DIFFUSORE	GOMMA	BEARING BUSH DIFFUSER	NBR
11	ANELLO USURA	GOMMA	USURY RING	NBR
12	O-RING PER DIFFUSORE	GOMMA	O-RING FOR DIFFUSER	NBR
13	VITE MSX10	ACCIAIO INOX AISI 304	SCREW MSX10	AISI 304
14	ANELLO GUARNIZIONE FARFALLA	ACCIAIO INOX AISI 304	RING GASKET VALVE	AISI 304
15	O-RING PER GUARNIZIONE FARFALLA	GOMMA	O-RING FOR GASKET VALVE	NBR
16	GUARNIZIONE FARFALLA	GOMMA	GASLET VALVE	NBR
17	FARFALLA	ACCIAIO INOX AISI 304	CAP VALVE	AISI 304
18	MANDATA	ACCIAIO INOX AISI 304	DELIVERY BOWL	AISI 304
19	N.2 VITI M4 X 10 PER STAFFETTA INFERIORE	ACCIAIO INOX AISI 304	N.2 SCREW M4X10 FOR LOWER FLANGE	AISI 304
20	STAFFETTA INFERIORE	ACCIAIO INOX AISI 304	LOWER FLANGE	AISI 304
21	COPRICAPO	ACCIAIO INOX AISI 304	COVER CABLE	AISI 304
22	STAFFETTA SUPERIORE	ACCIAIO INOX AISI 304	UPPER FLANGE	AISI 304
23	TIRANTE	ACCIAIO INOX AISI 304	ROD	AISI 304
24	DADO	ACCIAIO INOX AISI 304	NUT	AISI 304
25	CHIAVETTA	ACCIAIO INOX AISI 304	KEY	AISI 304

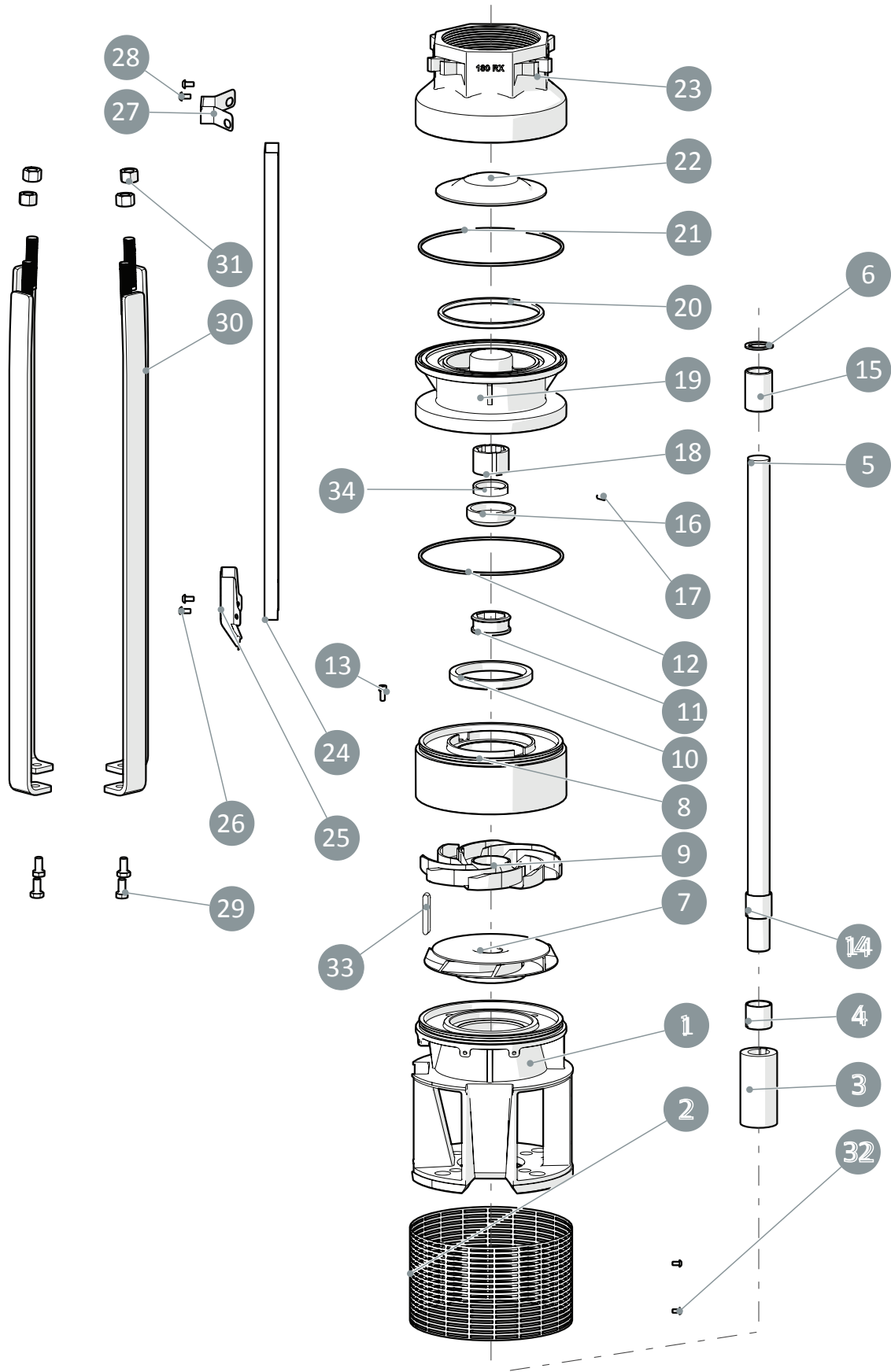
N.CODE	DESCRIPTION (Français)	MATÉRIEL (Français)	DESCRIPCIÓN (Español)	MATERIAL (Español)
1	CAGE D'ASPIRATION	ACIER INOXYDABLE AISI 304	REJILLA	ACERO INOXYDABLE AISI 304
2	CREPINE	ACIER INOXYDABLE AISI 304	CUERPO DE ASPIRACION	ACERO INOXYDABLE AISI 304
3	JOINT	ACIER INOXYDABLE AISI 304	ACOPLAMIENTO	ACERO INOXYDABLE AISI 304
4	ENTRETOISE PREMIERE ROUE	TECHNOPOLYMER	DISTANCIADOR PRIMER IMPULSOR	TECHNOPOLYMERO
5	ARBRE POMPE	ACIER INOXYDABLE AISI 304	EJE DE BOMBA	ACERO INOXYDABLE AISI 304
6	SEEGER	ACIER INOXYDABLE AISI 304	SEEGER	ACERO INOXYDABLE AISI 304
7	ROUE	ACIER INOXYDABLE AISI 304	IMPULSOR	ACERO INOXYDABLE AISI 304
8	ELEMENT INTERMEDIARE	ACIER INOXYDABLE AISI 304	ELEMENTO INTERMEDIO	ACERO INOXYDABLE AISI 304
9	DIFFUSEUR	ACIER INOXYDABLE AISI 304	DIFUSOR	ACERO INOXYDABLE AISI 304
10	BEARING BUSH DIFFUSEUR	CAOUTCHOUC	COJINETE DIFUSOR	GOMA NBR
11	USURY RING	CAOUTCHOUC	ANILLO DE DESGASTE	GOMA NBR
12	O-RING POUR DIFFUSEUR	CAOUTCHOUC	ANILLO TOROIDAL DIFUSOR	GOMA NBR
13	VIS MSX10	ACIER INOXYDABLE AISI 304	TORNILLO MSX10	ACERO INOXYDABLE AISI 304
14	VALVE GASKET	ACIER INOXYDABLE AISI 304	JUNTA PARA VALVULA	ACERO INOXYDABLE AISI 304
15	O-RING FOR GASKET VALVE	CAOUTCHOUC	JUNTA TORICA ANILLO VALVULA	GOMA NBR
16	BAGUE VALVE GASKET	CAOUTCHOUC	JUNTA VALVULA	GOMA NBR
17	PLAT	ACIER INOXYDABLE AISI 304	VALVULA	ACERO INOXYDABLE AISI 304
18	REFOULEMENT	ACIER INOXYDABLE AISI 304	CUERPO DE IMPULSION	ACERO INOXYDABLE AISI 304
19	N.2 VIS POUR BRIDE INFERIEURE	ACIER INOXYDABLE AISI 304	N.2 TORNILLOS GRAPA INFERIOR	ACERO INOXYDABLE AISI 304
20	BRIDE INFERIEURE	ACIER INOXYDABLE AISI 304	GRAPA INFERIOR	ACERO INOXYDABLE AISI 304
21	PROTECTION CABLE	ACIER INOXYDABLE AISI 304	PARACABLE	ACERO INOXYDABLE AISI 304
22	BRIDE SUPERIEURE	ACIER INOXYDABLE AISI 304	GRAPA SUPERIOR	ACERO INOXYDABLE AISI 304
23	ROD	ACIER INOXYDABLE AISI 304	VARILLA	ACERO INOXYDABLE AISI 304
24	ECROU	ACIER INOXYDABLE AISI 304	TUERCA	ACERO INOXYDABLE AISI 304
25	KEY	ACIER INOXYDABLE AISI 304	CHAVETA	ACERO INOXYDABLE AISI 304

6" 140 RX SERIES' SPARE PARTS

140 RX				
N.CODE	DESCRIZIONE (Italiano)	MATERIALE (Italiano)	DESCRIPTION (English)	MATERIAL (English)
1	GABBIA DI ASPIRAZIONE	ACCIAIO INOX AISI 304	SUCTION CAGE	AISI 304
2	SUCCHERUOLA	ACCIAIO INOX AISI 304	SUCTION STRAINER	AISI 304
3	GIUNTO DI TRAINO	ACCIAIO INOX AISI 304	JOINT	AISI 304
4	DISTANZIATORE PRIMA GIRANTE	POLICARBONATO	SPACER FIRST IMPELLER	POLYCARBONATE
5	ALBERO POMPA	ACCIAIO INOX AISI 304	PUMP SHAFT	AISI 304
6	SEGER	ACCIAIO INOX AISI 304	SEGER	AISI 304
7	GIRANTE	ACCIAIO INOX AISI 304	IMPELLER	AISI 304
8	ELEMENTO INTERMEDIO	ACCIAIO INOX AISI 304	INTERMEDIATE CASING	AISI 304
9	DIFFUSORE	ACCIAIO INOX AISI 304	DIFFUSEUR	AISI 304
10	BRONZINA DIFFUSORE	GOMMA	BEARING BUSH DIFFUSER	NBR
11	ANELLO USURA	GOMMA	USURY RING	NBR
12	O-RING PER DIFFUSORE	GOMMA	O-RING FOR DIFFUSER	NBR
13	VITE MSX10	ACCIAIO INOX AISI 304	SCREW MSX10	AISI 304
14	ANELLO GUARNIZIONE FARFALLA	ACCIAIO INOX AISI 304	RING GASKET VALVE	AISI 304
15	O-RING PER GUARNIZIONE FARFALLA	GOMMA	O-RING FOR GASKET VALVE	NBR
16	GUARNIZIONE FARFALLA	GOMMA	GASLET VALVE	NBR
17	FARFALLA	ACCIAIO INOX AISI 304	CAP VALVE	AISI 304
18	MANDATA	ACCIAIO INOX AISI 304	DELIVERY BOWL	AISI 304
19	N.2 VITI M4 X 10 PER STAFFETTA INFERIORE	ACCIAIO INOX AISI 304	N.2 SCREW M4X10 FOR LOWER FLANGE	AISI 304
20	STAFFETTA INFERIORE	ACCIAIO INOX AISI 304	LOWER FLANGE	AISI 304
21	COPRICAVO	ACCIAIO INOX AISI 304	COVER CABLE	AISI 304
22	STAFFETTA SUPERIORE	ACCIAIO INOX AISI 304	UPPER FLANGE	AISI 304
23	TIRANTE	ACCIAIO INOX AISI 304	ROD	AISI 304
24	DADO	ACCIAIO INOX AISI 304	NUT	AISI 304
25	CHIAVETTA	ACCIAIO INOX AISI 304	KEY	AISI 304

N.CODE	DESCRIPTION (Français)	MATÉRIEL (Français)	DESCRIPCIÓN (Español)	MATERIAL (Español)
1	CAGE D'ASPIRATION	ACIER INOXYDABLE AISI 304	REJILLA	ACERO INOXYDABLE AISI 304
2	CRÉPINE	ACIER INOXYDABLE AISI 304	CUERPO DE ASPIRACION	ACERO INOXYDABLE AISI 304
3	JOINT	ACIER INOXYDABLE AISI 304	ACOPLAMIENTO	ACERO INOXYDABLE AISI 304
4	ENTRETOISE PREMIERE ROUE	TECHNOPOLYMER	DISTANCIADOR PRIMER IMPULSOR	TECHNOPOLYMER
5	ARBRE POMPE	ACIER INOXYDABLE AISI 304	EJE DE BOMBA	ACERO INOXYDABLE AISI 304
6	SEGER	ACIER INOXYDABLE AISI 304	SEGER	ACERO INOXYDABLE AISI 304
7	ROUE	ACIER INOXYDABLE AISI 304	IMPULSOR	ACERO INOXYDABLE AISI 304
8	ELEMENT INTERMEDIARE	ACIER INOXYDABLE AISI 304	ELEMENTO INTERMEDIO	ACERO INOXYDABLE AISI 304
9	DIFFUSEUR	ACIER INOXYDABLE AISI 304	DIFUSOR	ACERO INOXYDABLE AISI 304
10	BEARING BUSH DIFFUSEUR	CAOUTCHOUC	COJINETE DIFUSOR	GOMA NBR
11	USURY RING	CAOUTCHOUC	ANILLO DE DESGASTE	GOMA NBR
12	O-RING POUR DIFFUSEUR	CAOUTCHOUC	ANILLO TOROIDAL DIFUSOR	GOMA NBR
13	VIS MSX10	ACIER INOXYDABLE AISI 304	TORNILLO MSX10	ACERO INOXYDABLE AISI 304
14	VALVE GASKET	ACIER INOXYDABLE AISI 304	JUNTA PARA VALVULA	ACERO INOXYDABLE AISI 304
15	O-RING FOR GASKET VALVE	CAOUTCHOUC	JUNTA TORICA ANILLO VALVULA	GOMA NBR
16	BAGUE VALVE GASKET	CAOUTCHOUC	JUNTA VALVULA	GOMA NBR
17	PLAT	ACIER INOXYDABLE AISI 304	VALVULA	ACERO INOXYDABLE AISI 304
18	REFOULEMENT	ACIER INOXYDABLE AISI 304	CUERPO DE IMPULSION	ACERO INOXYDABLE AISI 304
19	N.2 VIS POUR BRIDE INFERIEURE	ACIER INOXYDABLE AISI 304	N.2 TORNILLOS GRAPA INFERIOR	ACERO INOXYDABLE AISI 304
20	BRIDE INFERIEURE	ACIER INOXYDABLE AISI 304	GRAPA INFERIOR	ACERO INOXYDABLE AISI 304
21	PROTECTION CABLE	ACIER INOXYDABLE AISI 304	PARACABLE	ACERO INOXYDABLE AISI 304
22	BRIDE SUPERIEURE	ACIER INOXYDABLE AISI 304	GRAPA SUPERIOR	ACERO INOXYDABLE AISI 304
23	ROD	ACIER INOXYDABLE AISI 304	VARILLA	ACERO INOXYDABLE AISI 304
24	ECROU	ACIER INOXYDABLE AISI 304	TUERCA	ACERO INOXYDABLE AISI 304
25	KEY	ACIER INOXYDABLE AISI 304	CHAVETA	ACERO INOXYDABLE AISI 304

8" 180 RX SERIES' SPARE PARTS

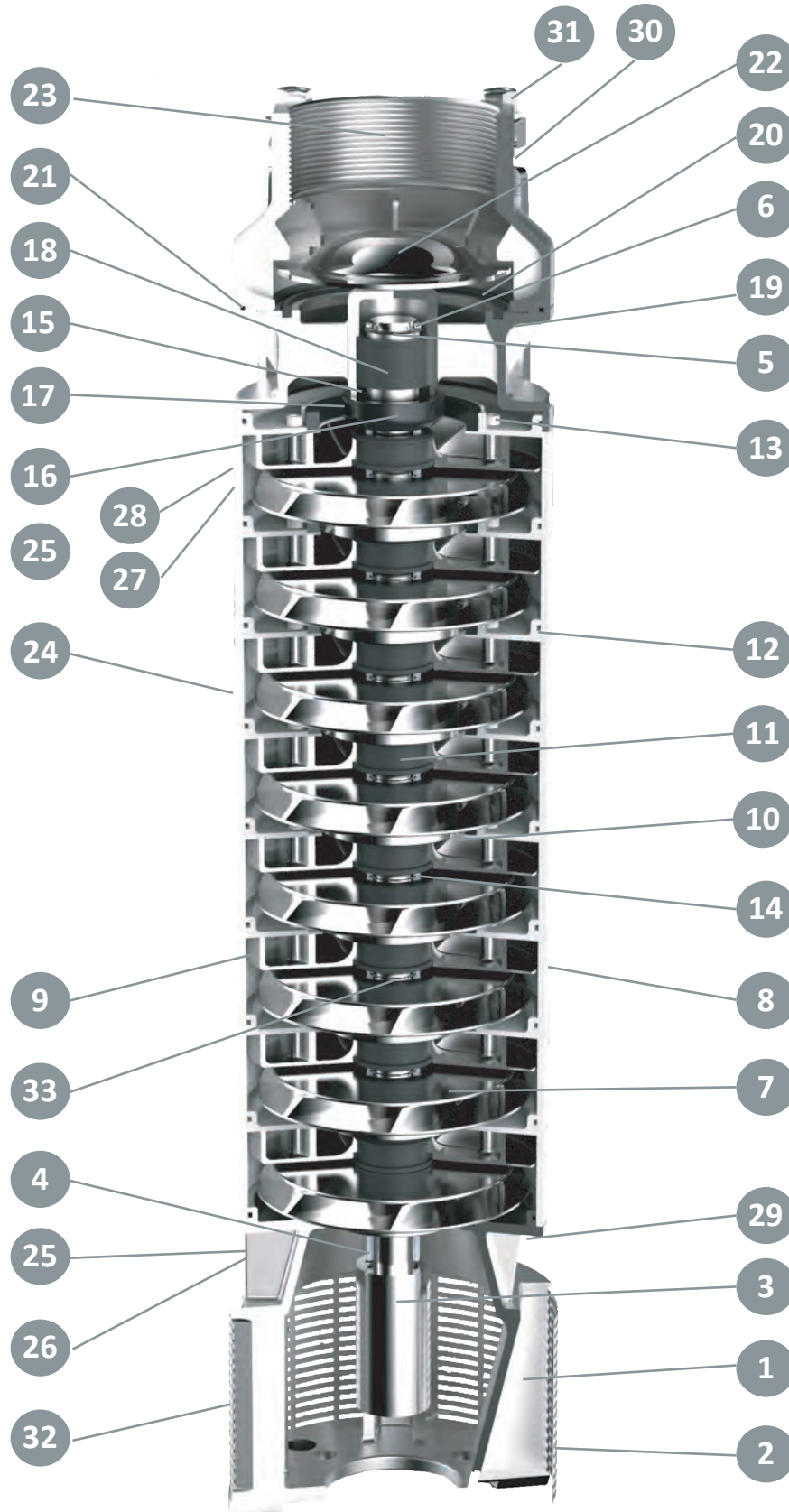


8" 180 RX SERIES' SPARE PARTS

180 RX				
N.CODE	DESCRIZIONE (Italiano)	MATERIALE (Italiano)	DESCRIPTION (English)	MATERIAL (English)
1	GABBIA DI ASPIRAZIONE	ACCIAIO INOX AISI 304	SUCTION CAGE	AISI 304
2	SUCCHERUOLA	ACCIAIO INOX AISI 304	SUCTION STRAINER	AISI 304
3	GIUNTO DI TRAINO	ACCIAIO INOX AISI 304	JOINT	AISI 304
4	DISTANZIATORE PRIMA GIRANTE	ACCIAIO INOX AISI 304	SPACER FIRST IMPELLER	AISI 304
5	ALBERO POMPA	ACCIAIO INOX AISI 304	PUMP SHAFT	AISI 304
6	SEGER	ACCIAIO INOX AISI 304	SEGER	AISI 304
7	GIRANTE	ACCIAIO INOX AISI 304	IMPELLER	AISI 304
8	ELEMENTO INTERMEDIO	ACCIAIO INOX AISI 304	INTERMEDIATE CASING	AISI 304
9	DIFFUSORE	ACCIAIO INOX AISI 304	DIFFUSEUR	AISI 304
10	ANELLO USURA	GOMMA	USURY RING	NBR
11	BRONZINA DIFFUSORE	GOMMA	BEARING BUSH DIFFUSER	NBR
12	O-RING PER DIFFUSORE	GOMMA	O-RING FOR DIFFUSER	NBR
13	VITE M5X12	ACCIAIO INOX AISI 304	SCREW M5X12	AISI 304
14	DISTANZIATORE INTERMEDIO	ACCIAIO INOX AISI 304	SPACER INTERMEDIATE	AISI 304
15	DISTANZIATORE	ACCIAIO INOX AISI 304	SPACER	AISI 304
16	DEFLETTORE	NORYL GFN2	DEFLECTOR	NORYL GFN2
17	GRANO PER DEFLETTORE	ACCIAIO INOX AISI 304	SCREW FOR DEFLECTOR	AISI 304
18	BRONZINA SUPERIORE	GOMMA	UPPER BEARING BUSH	NBR
19	MANDATA	ACCIAIO INOX AISI 304	DELIVERY BOWL	AISI 304
20	GUARNIZIONE FARFALLA	GOMMA	GASLET VALVE	NBR
21	O-RING PER MANDATA	GOMMA	O-RING FOR DELIVERY BOWL	NBR
22	FARFALLA	ACCIAIO INOX AISI 304	CAP VALVE	AISI 304
23	CORPO VALVOLA	ACCIAIO INOX AISI 304	BODY VALVE	AISI 304
24	COPRICAPO	ACCIAIO INOX AISI 304	COVER CABLE	AISI 304
25	STAFFETTA INFERIORE	ACCIAIO INOX AISI 304	LOWER FLANGE	AISI 304
26	N.2 VITI M4 X 10 PER STAFFETTA INFERIORE	ACCIAIO INOX AISI 304	N.2 SCREW M4X10 FOR LOWER FLANGE	AISI 304
27	STAFFETTA SUPERIORE	ACCIAIO INOX AISI 304	UPPER FLANGE	AISI 304
28	N.2 VITI M4 X 10 PER STAFFETTA SUPERIORE	ACCIAIO INOX AISI 304	N.2 SCREW M4X10 FOR UPPER FLANGE	AISI 304
29	N.4 BULLONI BLOCCA TIRANTE	ACCIAIO INOX AISI 304	N.4 SCREW BLOCKS ROD	AISI 304
30	TIRANTE	ACCIAIO INOX AISI 304	ROD	AISI 304
31	DADO	ACCIAIO INOX AISI 304	NUT	AISI 304
32	N.2 VITI PER SUCCHERUOLA	ACCIAIO INOX AISI 304	N.2 SCREW FOR SUCTION STRAINER	AISI 304
33	CHIAVETTA	ACCIAIO INOX AISI 304	KEY	AISI 304
34	ANELLO DI TENUTA/CORTECO	GOMMA	SEAL RING	NBR

N.CODE	DESCRIPTION (Français)	MATÉRIEL (Français)	DESCRIPCIÓN (Español)	MATERIAL (Español)
1	CAGE D'ASPIRATION	ACIER INOXYDABLE AISI 304	CUERPO DE ASPIRACION	ACERO INOXYDABLE AISI 304
2	CREPINE	ACIER INOXYDABLE AISI 304	REJILLA	ACERO INOXYDABLE AISI 304
3	JOINT	ACIER INOXYDABLE AISI 304	ACOPLAMIENTO	ACERO INOXYDABLE AISI 304
4	ENTRETOISE PREMIERE ROUE	ACIER INOXYDABLE AISI 304	DISTANCIADOR PRIMER IMPULSOR	ACERO INOXYDABLE AISI 304
5	ARBRE POMPE	ACIER INOXYDABLE AISI 304	EJE DE BOMBA	ACERO INOXYDABLE AISI 304
6	SEGER	ACIER INOXYDABLE AISI 304	SEGER	ACERO INOXYDABLE AISI 304
7	ROUE	ACIER INOXYDABLE AISI 304	IMPULSOR	ACERO INOXYDABLE AISI 304
8	ELEMENT INTERMEDIAIRE	ACIER INOXYDABLE AISI 304	ELEMENTO INTERMEDIO	ACERO INOXYDABLE AISI 304
9	DIFFUSEUR	ACIER INOXYDABLE AISI 304	DIFUSOR	ACERO INOXYDABLE AISI 304
10	USURY RING	CAOUTCHOUC	ANILLO DE DESGASTE	GOMA
11	BEARING BUSH DIFFUSEUR	CAOUTCHOUC	COJINETE DIFUSOR	GOMA
12	O-RING POUR DIFFUSEUR	CAOUTCHOUC	ANILLO TOROIDAL DIFUSOR	GOMA
13	VIS M5X12	ACIER INOXYDABLE AISI 304	TORNILLO M5X10	ACERO INOXYDABLE AISI 304
14	ENTRETOISE INTERMEDIAIRE	ACIER INOXYDABLE AISI 304	DISTANCIADOR INTERMEDIO	ACERO INOXYDABLE AISI 304
15	ENTRETOISE	ACIER INOXYDABLE AISI 304	DISTANCIADOR	ACERO INOXYDABLE AISI 304
16	FLAP	NORYL GFN2	DEFLECTOR	NORYL GFN2
17	VIS POUR FLAP	ACIER INOXYDABLE AISI 304	TORNILLO DEFLECTOR	ACERO INOXYDABLE AISI 304
18	SUPERIEUR BEARING BUSH	CAOUTCHOUC	COJINETE SUPERIOR	GOMA
19	REFOULEMENT	ACIER INOXYDABLE AISI 304	CUERPO DE IMPULSION	ACERO INOXYDABLE AISI 304
20	BAGUE VALVE GASKET	CAOUTCHOUC	JUNTA PARA VALVULA	GOMA
21	O-RING POUR REFOULEMENT	CAOUTCHOUC	JUNTA TORICA ANILLO VALVULA	GOMA
22	PLAT	ACIER INOXYDABLE AISI 304	VALVULA	ACERO INOXYDABLE AISI 304
23	CORPS DE VALVE	ACIER INOXYDABLE AISI 304	CUERPO DE IMPULSION	ACERO INOXYDABLE AISI 304
24	PROTECTION CABLE	ACIER INOXYDABLE AISI 304	PARACABLE	ACERO INOXYDABLE AISI 304
25	BRIDE INFERIEURE	ACIER INOXYDABLE AISI 304	GRAPA INFERIOR	ACERO INOXYDABLE AISI 304
26	N.2 VIS POUR BRIDE INFERIEURE	ACIER INOXYDABLE AISI 304	N.2 TORNILLOS GRAPA INFERIOR	ACERO INOXYDABLE AISI 304
27	BRIDE SUPERIEURE	ACIER INOXYDABLE AISI 304	GRAPA SUPERIOR	ACERO INOXYDABLE AISI 304
28	N.2 VIS POUR BRIDE SUPERIEUR	ACIER INOXYDABLE AISI 304	N.2 TORNILLOS GRAPA SUPERIOR	ACERO INOXYDABLE AISI 304
29	N.4 VIS POUR BLOCAGE ROD	ACIER INOXYDABLE AISI 304	N.4 TUERCAS POR VARILLA	ACERO INOXYDABLE AISI 304
30	ROD	ACIER INOXYDABLE AISI 304	VARILLA	ACERO INOXYDABLE AISI 304
31	ECROU	ACIER INOXYDABLE AISI 304	TUERCA	ACERO INOXYDABLE AISI 304
32	N.2 VIS POUR CREPINE	ACIER INOXYDABLE AISI 304	N.2 TORNILLOS REJILLA	ACERO INOXYDABLE AISI 304
33	KEY	ACIER INOXYDABLE AISI 304	CHAVETA	ACERO INOXYDABLE AISI 304
34	SEAL RING	CAOUTCHOUC	ANILLO DE JUNTA	GOMA

8" 180 RX SERIES' SPARE PARTS



8" 180 RX SERIES' SPARE PARTS

180 RX				
N.CODE	DESCRIZIONE (Italiano)	MATERIALE (Italiano)	DESCRIPTION (English)	MATERIAL (English)
1	GABBIA DI ASPIRAZIONE	ACCIAIO INOX AISI 304	SUCTION CAGE	AISI 304
2	SUCCHERUOLA	ACCIAIO INOX AISI 304	SUCTION STRAINER	AISI 304
3	GIUNTO DI TRAINO	ACCIAIO INOX AISI 304	JOINT	AISI 304
4	DISTANZIATORE PRIMA GIRANTE	ACCIAIO INOX AISI 304	SPACER FIRST IMPELLER	AISI 304
5	ALBERO POMPA	ACCIAIO INOX AISI 304	PUMP SHAFT	AISI 304
6	SEEGER	ACCIAIO INOX AISI 304	SEEGER	AISI 304
7	GIRANTE	ACCIAIO INOX AISI 304	IMPELLER	AISI 304
8	ELEMENTO INTERMEDIO	ACCIAIO INOX AISI 304	INTERMEDIATE CASING	AISI 304
9	DIFFUSORE	ACCIAIO INOX AISI 304	DIFFUSEUR	AISI 304
10	ANELLO USURA	GOMMA	USURY RING	NBR
11	BRONZINA DIFFUSORE	GOMMA	BEARING BUSH DIFFUSER	NBR
12	O-RING PER DIFFUSORE	GOMMA	O-RING FOR DIFFUSER	NBR
13	VITE MSX12	ACCIAIO INOX AISI 304	SCREW MSX12	AISI 304
14	DISTANZIATORE INTERMEDIO	ACCIAIO INOX AISI 304	SPACER INTERMEDIATE	AISI 304
15	DISTANZIATORE	ACCIAIO INOX AISI 304	SPACER	AISI 304
16	DEFLETTORE	NORYL GFN2	DEFLECTOR	NORYL GFN2
17	GRANO PER DEFLETTORE	ACCIAIO INOX AISI 304	SCREW FOR DEFLECTOR	AISI 304
18	BRONZINA SUPERIORE	GOMMA	UPPER BEARING BUSH	NBR
19	MANDATA	ACCIAIO INOX AISI 304	DELIVERY BOWL	AISI 304
20	GUARNIZIONE FARFALLA	GOMMA	GASLET VALVE	NBR
21	O-RING PER MANDATA	GOMMA	O-RING FOR DELIVERY BOWL	NBR
22	FARFALLA	ACCIAIO INOX AISI 304	CAP VALVE	AISI 304
23	CORPO VALVOLA	ACCIAIO INOX AISI 304	BODY VALVE	AISI 304
24	COPRICAPO	ACCIAIO INOX AISI 304	COVER CABLE	AISI 304
25	STAFFETTA INFERIORE	ACCIAIO INOX AISI 304	LOWER FLANGE	AISI 304
26	N.2 VITI M4 X 10 PER STAFFETTA INFERIORE	ACCIAIO INOX AISI 304	N.2 SCREW M4X10 FOR LOWER FLANGE	AISI 304
27	STAFFETTA SUPERIORE	ACCIAIO INOX AISI 304	UPPER FLANGE	AISI 304
28	N.2 VITI M4 X 10 PER STAFFETTA SUPERIORE	ACCIAIO INOX AISI 304	N.2 SCREW M4X10 FOR UPPER FLANGE	AISI 304
29	N.4 BULLONI BLOCCA TIRANTE	ACCIAIO INOX AISI 304	N.4 SCREW BLOCKS ROD	AISI 304
30	TIRANTE	ACCIAIO INOX AISI 304	ROD	AISI 304
31	DADO	ACCIAIO INOX AISI 304	NUT	AISI 304
32	N.2 VITI PER SUCCHERUOLA	ACCIAIO INOX AISI 304	N.2 SCREW FOR SUCTION STRAINER	AISI 304
33	CHIAVETTA	ACCIAIO INOX AISI 304	KEY	AISI 304
34	ANELLO DI TENUTA/CORTECO	GOMMA	SEAL RING	NBR

N.CODE	DESCRIPTION (Français)	MATÉRIEL (Français)	DESCRIPCIÓN (Español)	MATERIAL (Español)
1	CAGE D'ASPIRATION	ACIER INOXYDABLE AISI 304	CUERPO DE ASPIRACION	ACERO INOXYDABLE AISI 304
2	CREPINE	ACIER INOXYDABLE AISI 304	REJILLA	ACERO INOXYDABLE AISI 304
3	JOINT	ACIER INOXYDABLE AISI 304	ACOPLAMIENTO	ACERO INOXYDABLE AISI 304
4	ENTRETOISE PREMIERE ROUE	ACIER INOXYDABLE AISI 304	DISTANCIADOR PRIMER IMPULSOR	ACERO INOXYDABLE AISI 304
5	ARBRE POMPE	ACIER INOXYDABLE AISI 304	EJE DE BOMBA	ACERO INOXYDABLE AISI 304
6	SEEGER	ACIER INOXYDABLE AISI 304	SEEGER	ACERO INOXYDABLE AISI 304
7	ROUE	ACIER INOXYDABLE AISI 304	IMPULSOR	ACERO INOXYDABLE AISI 304
8	ELEMENT INTERMEDIAIRE	ACIER INOXYDABLE AISI 304	ELEMENTO INTERMEDIO	ACERO INOXYDABLE AISI 304
9	DIFFUSEUR	ACIER INOXYDABLE AISI 304	DIFUSOR	ACERO INOXYDABLE AISI 304
10	USURY RING	CAOUTCHOUC	ANILLO DE DESGASTE	GOMA
11	BEARING BUSH DIFFUSEUR	CAOUTCHOUC	COJINETE DIFUSOR	GOMA
12	O-RING POUR DIFFUSEUR	CAOUTCHOUC	ANILLO TOROIDAL DIFUSOR	GOMA
13	VIS MSX12	ACIER INOXYDABLE AISI 304	TORNILLO MSX10	ACERO INOXYDABLE AISI 304
14	ENTRETOISE INTERMEDIAIRE	ACIER INOXYDABLE AISI 304	DISTANCIADOR INTERMEDIO	ACERO INOXYDABLE AISI 304
15	ENTRETOISE	ACIER INOXYDABLE AISI 304	DISTANCIADOR	ACERO INOXYDABLE AISI 304
16	FLAP	NORYL GFN2	DEFLECTOR	NORYL GFN2
17	VIS POUR FLAP	ACIER INOXYDABLE AISI 304	TORNILLO DEFLECTOR	ACERO INOXYDABLE AISI 304
18	SUPERIEUR BEARING BUSH	CAOUTCHOUC	COJINETE SUPERIOR	GOMA
19	REFOULEMENT	ACIER INOXYDABLE AISI 304	CUERPO DE IMPULSION	ACERO INOXYDABLE AISI 304
20	BAGUE VALVE GASKET	CAOUTCHOUC	JUNTA PARA VALVULA	GOMA
21	O-RING POUR REFOULEMENT	CAOUTCHOUC	JUNTA TORICA ANILLO VALVULA	GOMA
22	PLAT	ACIER INOXYDABLE AISI 304	VALVULA	ACERO INOXYDABLE AISI 304
23	CORPS DE VALVE	ACIER INOXYDABLE AISI 304	CUERPO DE IMPULSION	ACERO INOXYDABLE AISI 304
24	PROTECTION CABLE	ACIER INOXYDABLE AISI 304	PARACABLE	ACERO INOXYDABLE AISI 304
25	BRIDE INFERIEURE	ACIER INOXYDABLE AISI 304	GRAPA INFERIOR	ACERO INOXYDABLE AISI 304
26	N.2 VIS POUR BRIDE INFERIEURE	ACIER INOXYDABLE AISI 304	N.2 TORNILLOS GRAPA INFERIOR	ACERO INOXYDABLE AISI 304
27	BRIDE SUPERIEURE	ACIER INOXYDABLE AISI 304	GRAPA SUPERIOR	ACERO INOXYDABLE AISI 304
28	N.2 VIS POUR BRIDE SUPERIEUR	ACIER INOXYDABLE AISI 304	N.2 TORNILLOS GRAPA SUPERIOR	ACERO INOXYDABLE AISI 304
29	N.4 VIS POUR BLOCCAGE ROD	ACIER INOXYDABLE AISI 304	N. 4 TUERCAS POR VARILLA	ACERO INOXYDABLE AISI 304
30	ROD	ACIER INOXYDABLE AISI 304	VARILLA	ACERO INOXYDABLE AISI 304
31	ECROU	ACIER INOXYDABLE AISI 304	TUERCA	ACERO INOXYDABLE AISI 304
32	N.2 VIS POUR CREPINE	ACIER INOXYDABLE AISI 304	N.2 TORNILLOS REJILLA	ACERO INOXYDABLE AISI 304
33	KEY	ACIER INOXYDABLE AISI 304	CHAVETA	ACERO INOXYDABLE AISI 304
34	SEAL RING	CAOUTCHOUC	ANILLO DE JUNTA	GOMA