



4" Semiaxial Impeller High Capacity Submersible Pumps

Made in Italy



Catalogo 60 Hz



4" 95 PR / PRX / PRG / REC / SX 18 - HIGH CAPACITY SUBMERSIBLE PUMP WITH SEMIAXIAL IMPELLER

95 PR 18

Impeller in Technopolimer, Diffuser in Noryl, External Sleeve in AISI 304, Delivery bowl and suction cage in Brass

95 PRX 18

Impeller in Technopolimer, Diffuser in Noryl, External Sleeve in AISI 304, Delivery bowl and suction cage in stainless steel in AISI 304

95 PRG 18

Impeller in Technopolimer, Diffuser in Noryl, External Sleeve in AISI 304, Delivery bowl and suction cage in stainless steel in cast iron

95 REC 18

Impeller and diffuser in cast iron, pump shaft in AISI 304
Delivery bowl and suction cage in cast iron

95 SX 18

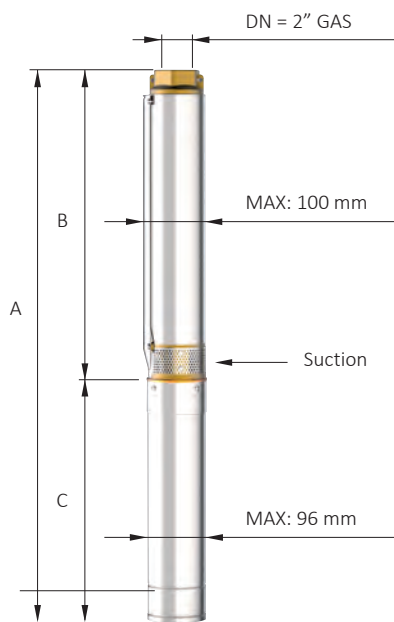
*Impeller and diffuser in AISI 304, pump shaft in AISI 304
Delivery bowl and suction cage in AISI 304*

High capacity: 24/27m³/h – 400/450 l/min



4" 95 PR18 / PRG18 / PRX18 - HYDRAULIC PERFORMANCES
SERVICE FACTOR : 1,15

Motor at 3450 rpm						Q= Capacity							
Type	Power		Single phase V230		V 460	l/min	0	180	240	300	360	420	480
	kW	HP	A	µF	A	l/sec	0,00	3,00	4,00	5,00	6,00	7,00	8,00
						m³/h	0,0	10,8	14,4	18,0	21,6	25,2	28,8
95 PR18 N/03	1,10	1,5	9,6	40	2,7	H[m]	26	22	20	18	15	11	8
95 PR18 N/04	1,50	2	11,8	50	3,4		35	29	27	24	20	15	11
95 PR18 N/06	2,20	3	15,2	75	5		53	43	40	36	29	22	16
95 PR18 N/08	3,00	4	-	-	6,5		71	58	53	48	39	30	21
95 PR18 N/11	4,00	5,5	-	-	8,4		97	79	73	65	54	41	29
95 PR18 N/15	5,50	7,5	-	-	11,6		132	108	100	89	74	55	40
95 PR18 N/21	7,50	10	-	-	15,1		185	151	140	125	103	77	56



Overall dimensions and weights								
Type	A mm Mono	A mm Tri	B mm	C mm Mono	C mm Tri	M kg Mono	M kg Tri	P kg
95 PR18 N/03	820	790	428	392	362	12	12	4
95 PR18 N/04	925	895	503	422	392	13	13	6
95 PR18 N/06	1120	1105	653	467	452	15	15	7
95 PR18 N/08	0	1360	803	0	557	0	19	10
95 PR18 N/11	0	1625	1028	0	597	0	22	12
95 PR18 N/15	0	2026	1328	0	698	0	27	15
95 PR18 N/21	0	2596	1778	0	818	0	32	17

n% = Pump efficiency
W/st = Stage absorption

Max 75%
Max 398



95 PR
Suction cage and delivery bowl in brass



95 PRG
Suction cage and delivery bowl in cast iron with CED (Cathode Electro Deposition)

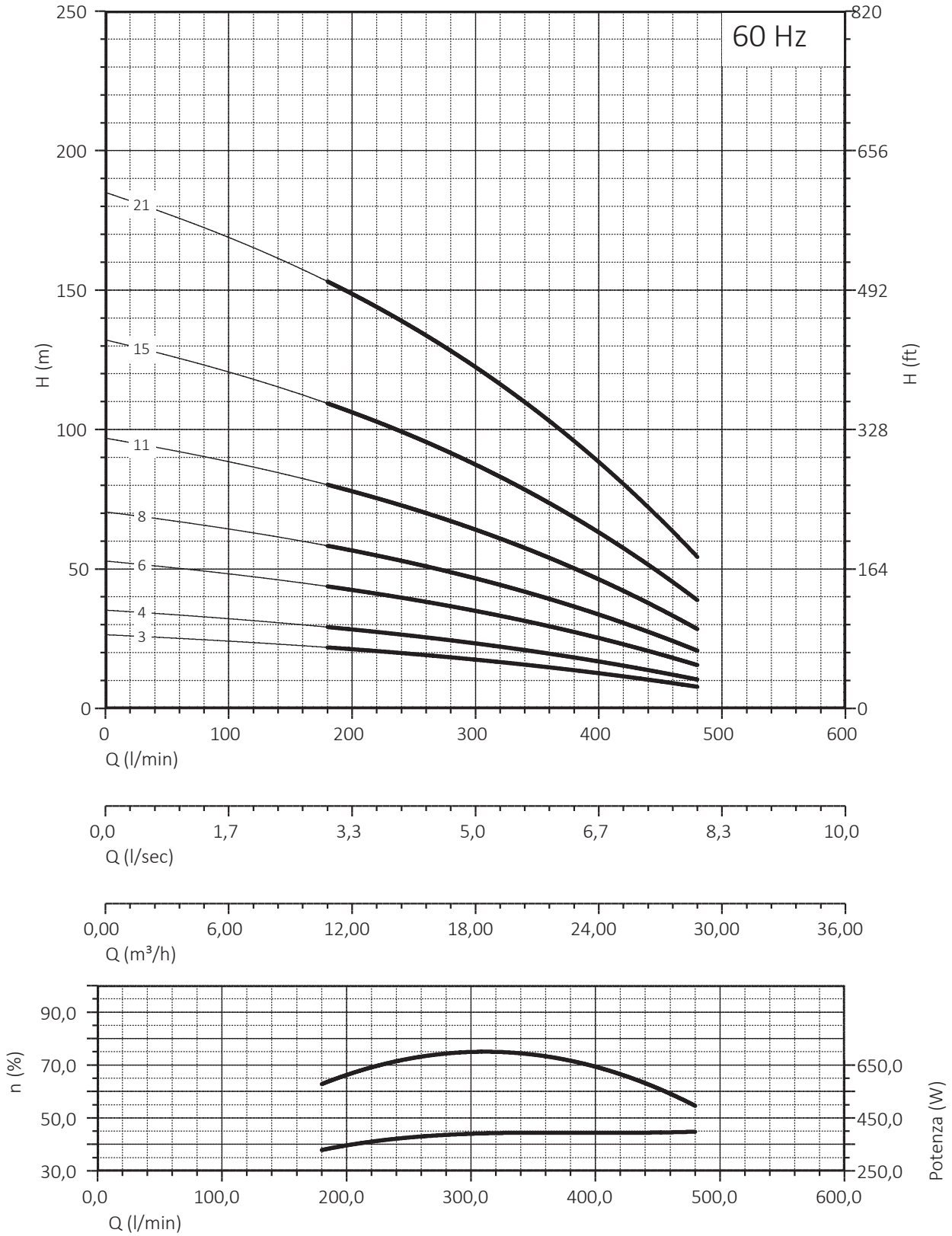


95 PRX
Suction cage and delivery bowl in AISI 304 casted



4" 95 PR18 / PRG18 / PRX18 - HYDRAULIC PERFORMANCES

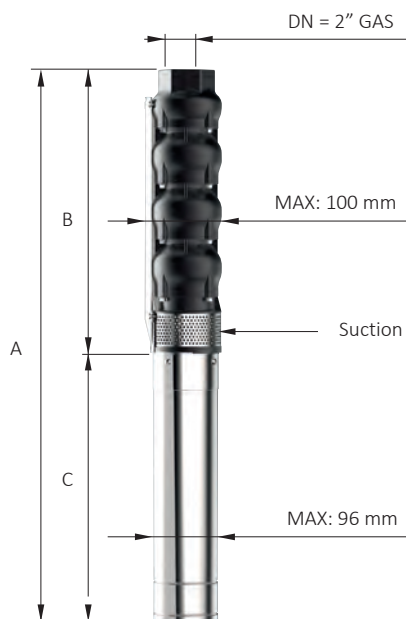
SERVICE FACTOR : 1,15



NPSH (m)	25%	50%	75%	100%
95 PR 18 - 95 PRX 18 - 95 PRG 18	3	3	4	6

4" 95 REC 18 - HYDRAULIC PERFORMANCES
SERVICE FACTOR : 1,15

Motor at 3450 rpm						Q= Capacity							
Type	Power		Single phase V230		V 460	l/min	0	180	240	300	360	420	480
	kW	HP	A	µF	A	l/sec	0,00	3,00	4,00	5,00	6,00	7,00	8,00
						m³/h	0,0	10,8	14,4	18,0	21,6	25,2	28,8
95 REC 18 /03	1,10	1,5	9,6	40	2,7	H[m]	25	20	18	15	13	10	6
95 REC 18 /04	1,50	2	11,8	50	3,4		33	26	24	20	17	14	9
95 REC 18 /07	2,20	3	15,2	76	5		57	46	41	36	29	24	15
95 REC 18 /09	3,00	4	-	-	6,5		74	59	53	46	38	31	19
95 REC 18 /13	4,00	5,5	-	-	8,4		107	85	77	66	54	45	28
95 REC 18 /18	5,50	7,5	-	-	11,6		148	118	106	92	75	62	39
95 REC 18 /24	7,50	10	-	-	15,1		197	157	142	123	100	83	52



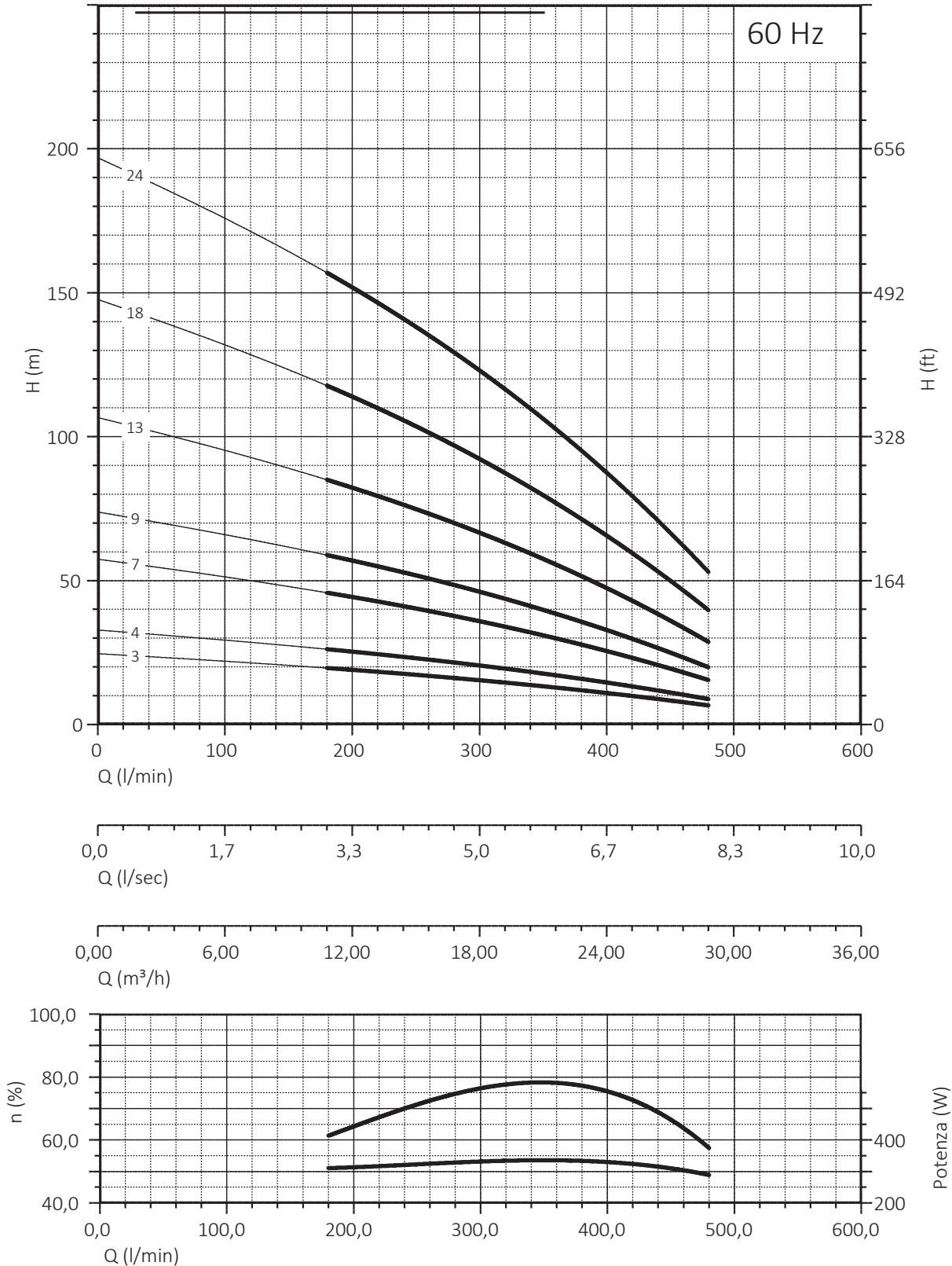
Overall dimensions and weights								
Type	A mm Mono	A mm Tri	B mm	C mm Mono	C mm Tri	M kg Mono	M kg Tri	P kg
95 REC 18 /03	784	754	392	392	362	12	12	5
95 REC 18 /04	887	857	465	422	392	13	13	6
95 REC 18 /07	1151	1136	684	467	452	15	15	9
95 REC 18 /09	0	1387	830	0	557	0	19	11
95 REC 18 /13	0	1719	1122	0	597	0	22	14
95 REC 18 /18	0	2185	1487	0	698	0	27	18
95 REC 18 /24	0	2743	1925	0	818	0	32	24

n% = Pump efficiency
W/st = Stage absorption

Max 74,5%
Max 346

4" 95 REC 18 - HYDRAULIC PERFORMANCES

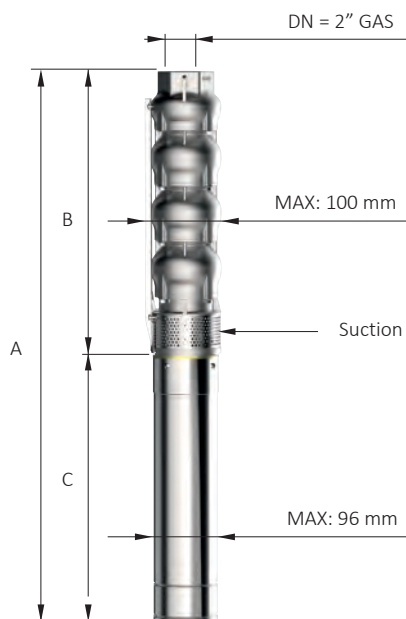
SERVICE FACTOR : 1,15



NPSH (m)	25%	50%	75%	100%
95 REC 18	3	3	4	6

4" 95 SX 18 - HYDRAULIC PERFORMANCES
SERVICE FACTOR : 1,15

Motor at 3450 rpm						Q= Capacity								
Type	Power		Single phase V230		V 460	l/min	0	180	240	300	360	420	480	540
	kW	HP	A	µF	A	l/sec	0,00	3,00	4,00	5,00	6,00	7,00	8,00	9,00
						m³/h	0,0	10,8	14,4	18,0	21,6	25,2	28,8	32,4
95 SX 18/03	1,10	1,5	9,6	40	2,7	H[m]	23	20	18	16	14	11	8	4
95 SX 18/04	1,50	2	11,8	50	3,4		31	27	24	22	18	15	10	6
95 SX 18/07	2,20	3	15,2	76	5		54	47	42	38	32	26	18	10
95 SX 18/09	3,00	4	-	-	6,5		70	61	54	49	41	34	23	13
95 SX 18/13	4,00	5,5	-	-	8,4		101	88	78	71	60	48	34	19
95 SX 18/16	5,50	7,5	-	-	11,6		124	108	96	88	73	60	42	23
95 SX 18/24	7,50	10	-	-	15,1		187	162	144	132	110	90	63	35



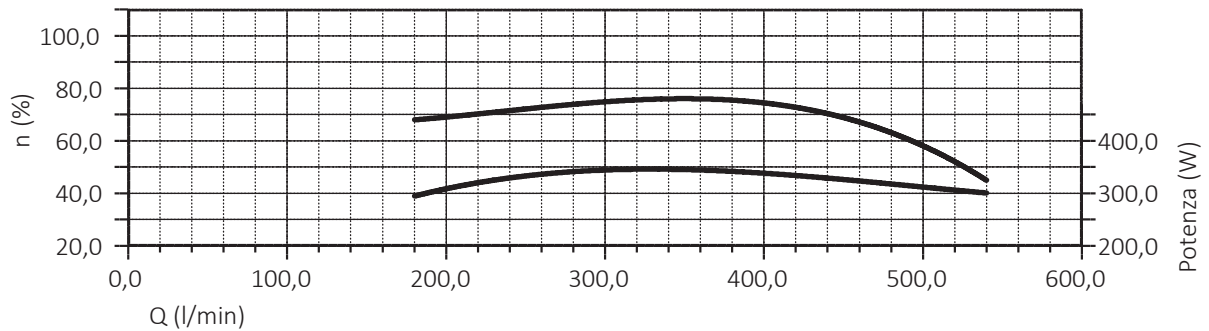
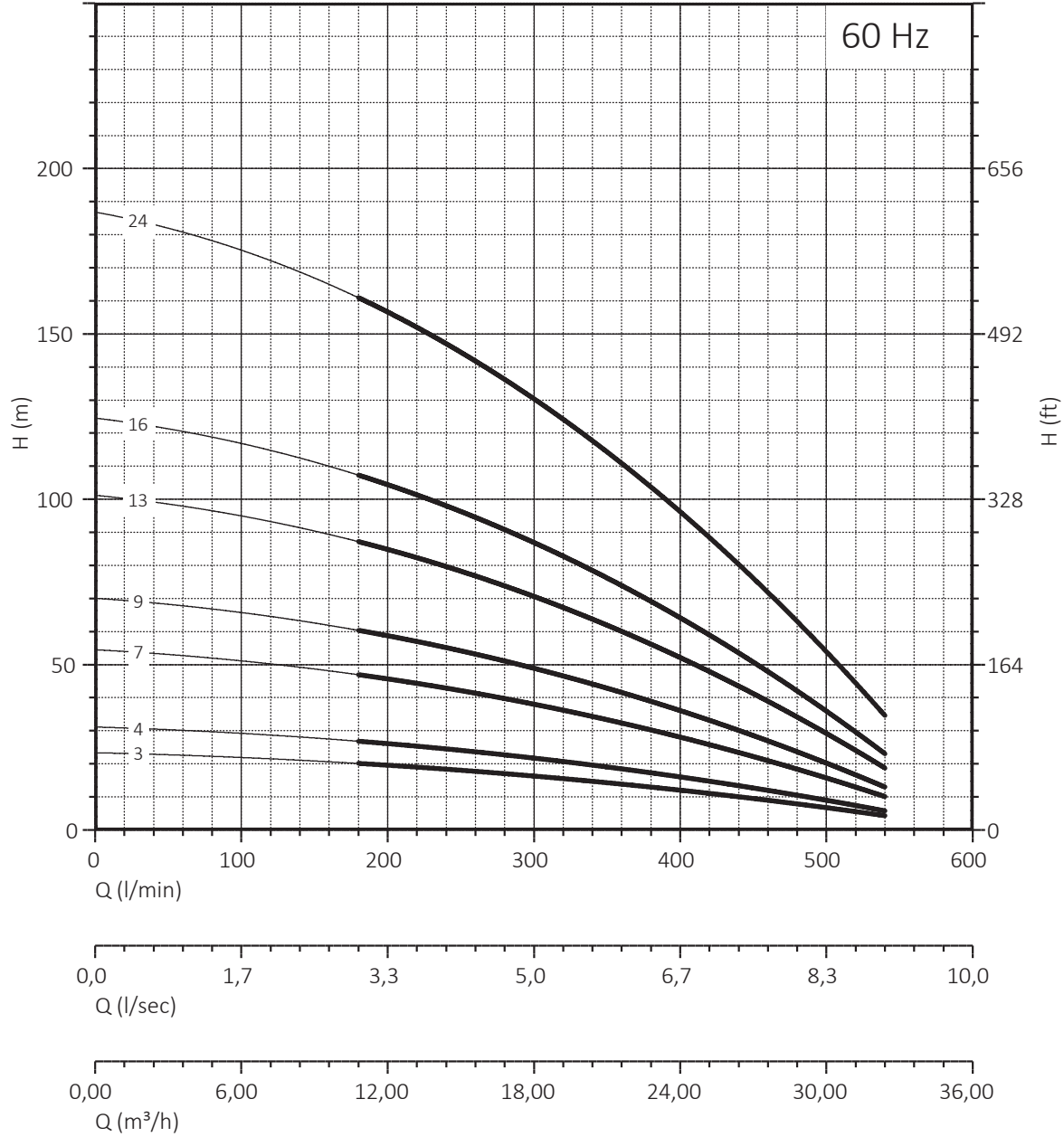
Overall dimensions and weights								
Type	A mm Mono	A mm Tri	B mm	C mm Mono	C mm Tri	M kg Mono	M kg Tri	P kg
95 SX 18/03	784	754	392	392	362	12	12	7
95 SX 18/04	887	857	465	422	392	13	13	10
95 SX 18/07	1151	1136	684	467	452	15	15	13
95 SX 18/09	0	1387	830	0	557	0	19	17
95 SX 18/13	0	1719	1122	0	597	0	22	23
95 SX 18/16	0	2039	1341	0	698	0	27	31
95 SX 18/24	0	2743	1925	0	818	0	32	39

n% = Pump efficiency
W/st = Stage absorption

Max 76,5%
Max 349

4" 95 SX 18 - HYDRAULIC PERFORMANCES

SERVICE FACTOR : 1,15

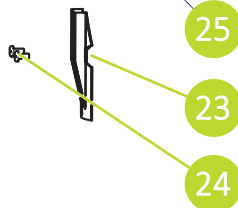
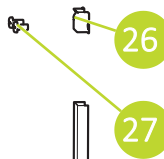
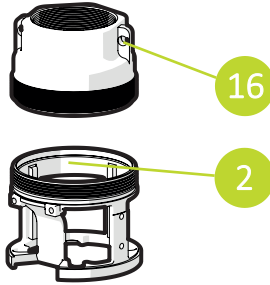


NPSH (m)	25%	50%	75%	100%
95 SX 18	3	3	4	6

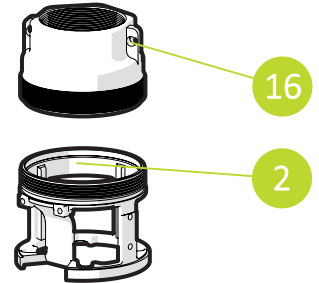
SPARE PARTS 4" PR18 / PRG18 / PRX18

standard version

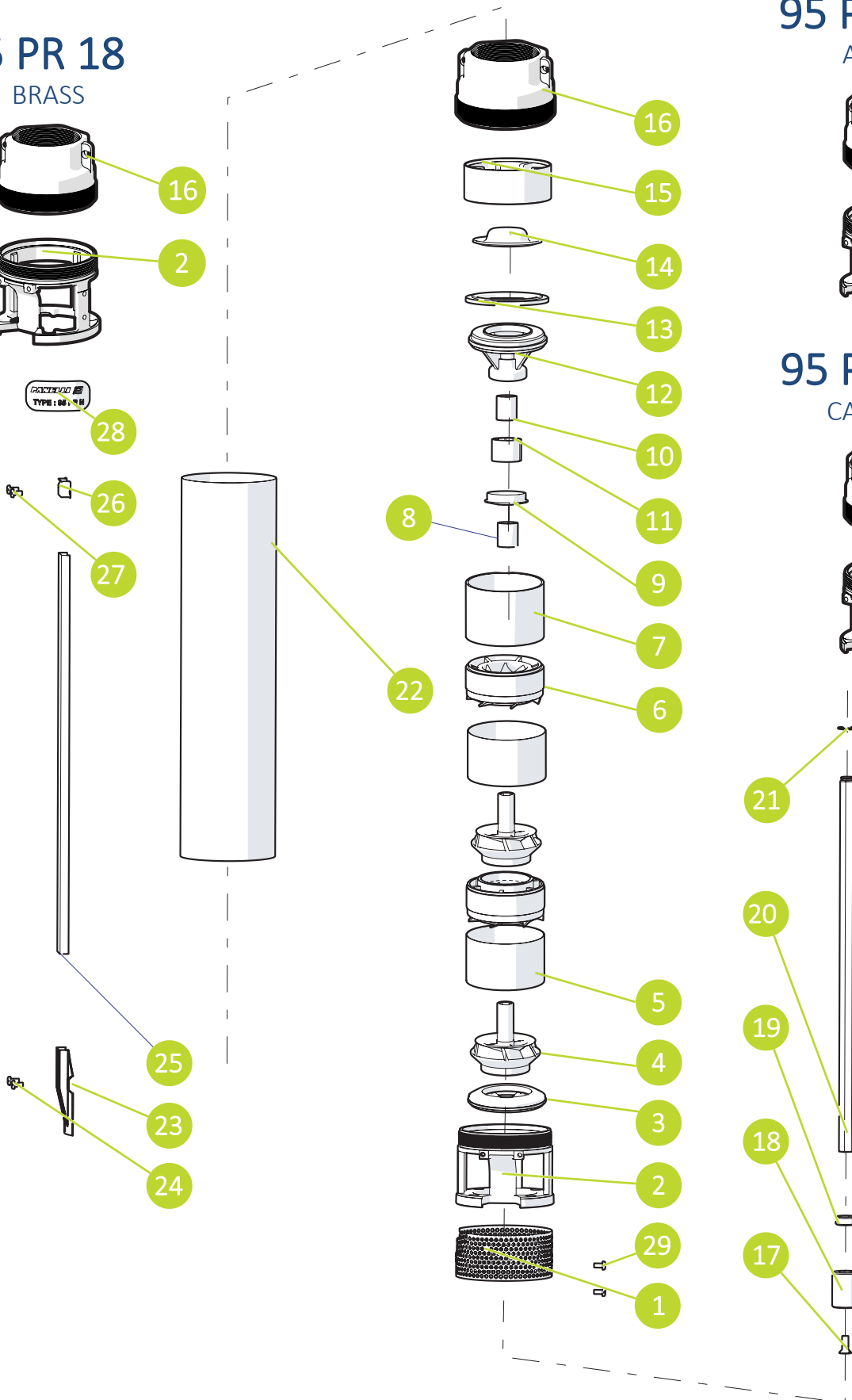
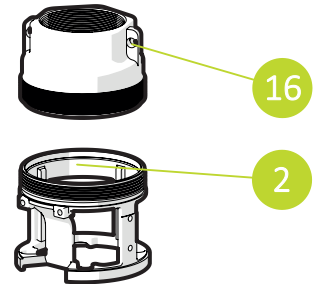
95 PR 18
BRASS



95 PRX 18
AISI 304



95 PRG 18
CAST IRON



SPARE PARTS 4" PR18 / PRG18 / PRX18

95 PR 18				
N. CODE	DESCRIZIONE (Italiano)	MATERIALE (Italiano)	DESCRIPTION (English)	MATERIAL (English)
1	SUCCHERUOLA	ACCIAIO INOX AISI 304	SUCTION STRAINER	AISI 304
2 *	GABBIA DI ASPIRAZIONE	OTTONE	SUCTION CAGE	BRASS
3	DISCO RACCORDO GABBIA	NORYL + ACCIAIO	DISC CONNECTION CAGE	NORYL GFN2 + AISI 304
4	GIRANTE	POLICARBONATO	IMPELLER	POLYCARBONATE
5	ELEMENTO INTERMEDIO	ACCIAIO INOX AISI 304	INTERMEDIATE CASING	AISI 304
6	DIFFUSORE	NORYL + ACCIAIO	DIFFUSEUR	NORYL GFN2 + AISI 304
7	ANELLO RACCORDO SUPPORTO SUPERIORE	NORYL	UPPER SUPPORT CONNECTION RING	NORYL GFN2
8	DISTANZIATORE	POLICARBONATO	SPACER	POLYCARBONATE
9	PARASABBIA	NORYL	SAND GUARD	NORYL GFN2
10	DISTANZIATORE SUPPORTO SUPERIORE	ACCIAIO INOX AISI 304	SPACER UPPER SUPPORT	AISI 304
11	BRONZINA SUPPORTO SUPERIORE	GOMMA	UPPER BEARING BUSH	RUBBER NBR
12	SUPPORTO SUPERIORE	NORYL	UPPER SUPPORT	NORYL GFN2
13	GUARNIZIONE FARFALLA	GOMMA	GASLET VALVE	RUBBER NBR
14	FARFALLA	ACCIAIO INOX AISI 304	CAP VALVE	AISI 304
15	ANELLO RACCORDO MANDATA	NORYL	RING CONNECTOR DELIVERY BOWL	NORYL GFN2
16 *	MANDATA	OTTONE	DELIVERY BOWL	BRASS
17	VITE M6X12	ACCIAIO INOX AISI 304	SCREW M6X12	AISI 304
18	GIUNTO DI TRAINO FLOTTANTE	ACCIAIO INOX AISI 304	FLOATING JOINT	AISI 304
19	DISTANZIATORE PRIMA GIRANTE	POLICARBONATO	SPACER FIRST IMPELLER	POLYCARBONATE
20	ALBERO POMPA	ACCIAIO INOX AISI 420	PUMP SHAFT	AISI 420
21	SEEGER	ACCIAIO INOX AISI 304	SEEGER	AISI 304
22	CAMICIA	ACCIAIO INOX AISI 304	SLEEVE	AISI 304
23	STAFFETTA INFERIORE	ACCIAIO INOX AISI 304	LOWER FLANGE	AISI 304
24	N.2 VITI M4 X 10 PER STAFFETTA INFERIORE	ACCIAIO INOX AISI 304	N.2 SCREW M4X10 FOR LOWER FLANGE	AISI 304
25	COPRICAVO	ACCIAIO INOX AISI 304	COVER CABLE	AISI 304
26	STAFFETTA SUPERIORE	ACCIAIO INOX AISI 304	UPPER FLANGE	AISI 304
27	N.2 VITI M4 X 10 PER STAFFETTA SUPERIORE	ACCIAIO INOX AISI 304	N.2 SCREW M4X10 FOR UPPER FLANGE	AISI 304
28	ETICHETTA ADESIVA	POLIESTERE	ADHESIVE LABEL	POLYESTER
29	N.2 VITI M4 X 8 PER SUCCHERUOLA	ACCIAIO INOX AISI 304	N.2 SCREW M4X8 SUCTION STRAINER	AISI 304

N. CODE	DESCRIPTION (Français)	MATÉRIEL (Français)	DESCRIPCIÓN (Español)	MATERIAL (Español)
1	CREPINE	ACIER INOXYDABLE AISI 304	REJILLA	ACERO INOXYDABLE AISI 304
2 *	CAGE D'ASPIRATION	LAITON	CUERPO DE ASPIRACION	LATON
3	DISQUE DE RACCORD ASPIRATION	NORYL + ACCIER	ANILLO ACOPLAMIENTO	NORYL + ACERO
4	ROUE	TECHOPOLYMER	IMPULSOR	TECHOPOLYMER
5	ELEMENT INTERMEDIARE	ACIER INOXYDABLE AISI 304	ELEMENTO INTERMEDIO	ACERO INOXYDABLE AISI 304
6	DIFFUSEUR	NORYL + ACCIER	DIFUSOR	NORYL + ACERO
7	BAGUE DE RCCORD SUPPORT SUP.	NORYL	ANILLO ACOPLAM. SOPORTE SUPERIOR	NORYL
8	ENTRETOISE	TECHOPOLYMER	DISTANCIADOR	TECHOPOLYMER
9	PARA SABLE	NORYL	PROTECTOR ARENA	NORYL
10	SUPPORT SUPERIEURE SPACER	ACIER INOXYDABLE AISI 304	DISTANCIADOR SOPORTE SUPERIOR	ACERO INOXYDABLE AISI 304
11	COUSSINET SUPPORT SUPERIEURE	CAOUTCHOUC	COJINETE SOPORTE SUPERIOR	GOMA
12	SUPPORT SUPERIEURE	NORYL	SOPORTE SUPERIOR	NORYL
13	VALVE GASKET	CAOUTCHOUC	JUNTA DE VALVULA	GOMA
14	PLAT	ACIER INOXYDABLE AISI 304	VALVULA	ACERO INOXYDABLE AISI 304
15	RING CONNECTEUR PLAT	NORYL	ANILLO ACOPLAMIENTO IMPULSION	NORYL
16 *	REFOULEMENT	LAITON	CUERPO DE IMPULSION	LATON
17	VIS M6X12	ACIER INOXYDABLE AISI 304	TORNILLO M6X12	ACERO INOXYDABLE AISI 304
18	JOINT FLOTTANT	ACIER INOXYDABLE AISI 304	ACOPLAMIENTO FLOTANTE	ACERO INOXYDABLE AISI 304
19	ENTRETOISE PREMIERE ROUE	POLICARBONATO	DISTANCIADOR PRIMER IMPULSOR	POLICARBONATO
20	ARBRE POMPE	ACIER INOXYDABLE AISI 420	EJE DE BOMBA	ACERO INOXYDABLE AISI 420
21	SEEGER	ACIER INOXYDABLE AISI 304	SEEGER	ACERO INOXYDABLE AISI 304
22	CHEMISE	ACIER INOXYDABLE AISI 304	CAMISA	ACERO INOXYDABLE AISI 304
23	BRIDE INFERIEURE	ACIER INOXYDABLE AISI 304	GRAPA INFERIOR	ACERO INOXYDABLE AISI 304
24	N.2 VIS POUR BRIDE INFERIEURE	ACIER INOXYDABLE AISI 304	N.2 TORNILLOS GRAPA INFERIOR	ACERO INOXYDABLE AISI 304
25	PROTECTION CABLE	ACIER INOXYDABLE AISI 304	PARACABLE	ACERO INOXYDABLE AISI 304
26	BRIDE SUPERIEURE	ACIER INOXYDABLE AISI 304	GRAPA SUPERIOR	ACERO INOXYDABLE AISI 304
27	N.2 VIS POUR BRIDE SUPERIEURE	ACIER INOXYDABLE AISI 304	N.2 TORNILLOS GRAPA SUPERIOR	ACERO INOXYDABLE AISI 304
28	ADHESIVE ÉTIQUETTE	PLASTIQUE	ETIQUETA	PLASTICO
29	N.2 VIS POUR CREPINE	ACIER INOXYDABLE AISI 304	N.2 TORNILLOS REJILLA	ACERO INOXYDABLE AISI 304

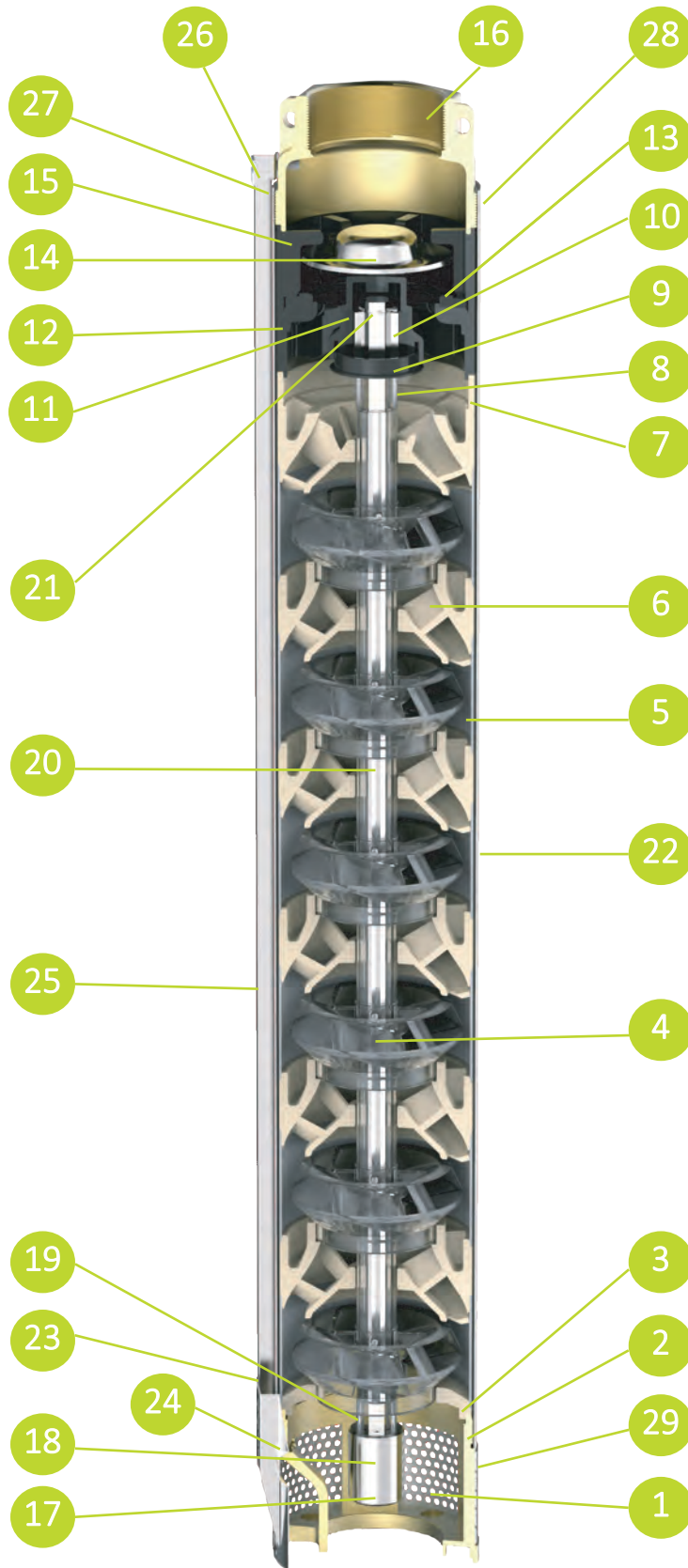
* 95 PRX 18

ACCIAIO INOX AISI 304
AISI 304
ACIER INOXYDABLE AISI 304 ACERO
INOXYDABLE AISI 304

* 95 PRG 18

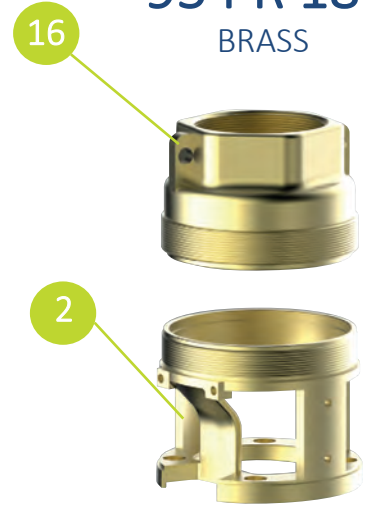
GHISA
CAST IRON
FONTE
HIERRO FUNDIDO

SPARE PARTS 4" PR18 / PRG18 / PRX18



standard version

95 PR 18
BRASS



95 PRX 18
AISI 304



95 PRG 18
CAST IRON



SPARE PARTS 4" PR18 / PRG18 / PRX18

95 PR 18				
N. CODE	DESCRIZIONE (Italiano)	MATERIALE (Italiano)	DESCRIPTION (English)	MATERIAL (English)
1	SUCCHERUOLA	ACCIAIO INOX AISI 304	SUCTION STRAINER	AISI 304
2 *	GABBIA DI ASPIRAZIONE	OTTONE	SUCTION CAGE	BRASS
3	DISCO RACCORDO GABBIA	NORYL + ACCIAIO	DISC CONNECTION CAGE	NORYL GFN2 + AISI 304
4	GIRANTE	POLICARBONATO	IMPELLER	POLYCARBONATE
5	ELEMENTO INTERMEDIO	ACCIAIO INOX AISI 304	INTERMEDIATE CASING	AISI 304
6	DIFFUSORE	NORYL + ACCIAIO	DIFFUSEUR	NORYL GFN2 + AISI 304
7	ANELLO RACCORDO SUPPORTO SUPERIORE	NORYL	UPPER SUPPORT CONNECTION RING	NORYL GFN2
8	DISTANZIATORE	POLICARBONATO	SPACER	POLYCARBONATE
9	PARASABBIA	NORYL	SAND GUARD	NORYL GFN2
10	DISTANZIATORE SUPPORTO SUPERIORE	ACCIAIO INOX AISI 304	SPACER UPPER SUPPORT	AISI 304
11	BRONZINA SUPPORTO SUPERIORE	GOMMA	UPPER BEARING BUSH	RUBBER NBR
12	SUPPORTO SUPERIORE	NORYL	UPPER SUPPORT	NORYL GFN2
13	GUARNIZIONE FARFALLA	GOMMA	GASLET VALVE	RUBBER NBR
14	FARFALLA	ACCIAIO INOX AISI 304	CAP VALVE	AISI 304
15	ANELLO RACCORDO MANDATA	NORYL	RING CONNECTOR DELIVERY BOWL	NORYL GFN2
16 *	MANDATA	OTTONE	DELIVERY BOWL	BRASS
17	VITE M6X12	ACCIAIO INOX AISI 304	SCREW M6X12	AISI 304
18	GIUNTO DI TRAINO FLOTTANTE	ACCIAIO INOX AISI 304	FLOATING JOINT	AISI 304
19	DISTANZIATORE PRIMA GIRANTE	POLICARBONATO	SPACER FIRST IMPELLER	POLYCARBONATE
20	ALBERO POMPA	ACCIAIO INOX AISI 420	PUMP SHAFT	AISI 420
21	SEEGER	ACCIAIO INOX AISI 304	SEEGER	AISI 304
22	CAMICIA	ACCIAIO INOX AISI 304	SLEEVE	AISI 304
23	STAFFETTA INFERIORE	ACCIAIO INOX AISI 304	LOWER FLANGE	AISI 304
24	N.2 VITI M4 X 10 PER STAFFETTA INFERIORE	ACCIAIO INOX AISI 304	N.2 SCREW M4X10 FOR LOWER FLANGE	AISI 304
25	COPRICAVO	ACCIAIO INOX AISI 304	COVER CABLE	AISI 304
26	STAFFETTA SUPERIORE	ACCIAIO INOX AISI 304	UPPER FLANGE	AISI 304
27	N.2 VITI M4 X 10 PER STAFFETTA SUPERIORE	ACCIAIO INOX AISI 304	N.2 SCREW M4X10 FOR UPPER FLANGE	AISI 304
28	ETICHETTA ADESIVA	POLIESTERE	ADHESIVE LABEL	POLYESTER
29	N.2 VITI M4 X 8 PER SUCCHERUOLA	ACCIAIO INOX AISI 304	N.2 SCREW M4X8 SUCTION STRAINER	AISI 304

N. CODE	DESCRIPTION (Français)	MATÉRIEL (Français)	DESCRIPCIÓN (Español)	MATERIAL (Español)
1	CRÉPINE	ACIER INOXYDABLE AISI 304	REJILLA	ACERO INOXYDABLE AISI 304
2 *	CAGE D'ASPIRATION	LAITON	CUERPO DE ASPIRACION	LATON
3	DISQUE DE RACCORD ASPIRATION	NORYL + ACCIER	ANILLO ACOPLAMIENTO	NORYL + ACERO
4	ROUE	TECHOPOLYMER	IMPULSOR	TECHOPOLYMER
5	ELEMENT INTERMEDIARE	ACIER INOXYDABLE AISI 304	ELEMENTO INTERMEDIO	ACERO INOXYDABLE AISI 304
6	DIFFUSEUR	NORYL + ACCIER	DIFUSOR	NORYL + ACERO
7	BAGUE DE RCCORD SUPPORT SUP.	NORYL	ANILLO ACOPLAM. SOPORTE SUPERIOR	NORYL
8	ENTRETOISE	TECHOPOLYMER	DISTANCIADOR	TECHOPOLYMER
9	PARA SABLE	NORYL	PROTECTOR ARENA	NORYL
10	SUPPORT SUPERIEURE SPACER	ACIER INOXYDABLE AISI 304	DISTANCIADOR SOPORTE SUPERIOR	ACERO INOXYDABLE AISI 304
11	COUSSINET SUPPORT SUPERIEURE	CAOUTCHOUC	COJINETE SOPORTE SUPERIOR	GOMA
12	SUPPORT SUPERIEURE	NORYL	SOPORTE SUPERIOR	NORYL
13	VALVE GASKET	CAOUTCHOUC	JUNTA DE VALVULA	GOMA
14	PLAT	ACIER INOXYDABLE AISI 304	VALVULA	ACERO INOXYDABLE AISI 304
15	RING CONNECTEUR PLAT	NORYL	ANILLO ACOPLAMIENTO IMPULSION	NORYL
16 *	REFOULEMENT	LAITON	CUERPO DE IMPULSION	LATON
17	VIS M6X12	ACIER INOXYDABLE AISI 304	TORNILLO M6X12	ACERO INOXYDABLE AISI 304
18	JOINT FLOTTANT	ACIER INOXYDABLE AISI 304	ACOPLAMIENTO FLOTANTE	ACERO INOXYDABLE AISI 304
19	ENTRETOISE PREMIERE ROUE	POLICARBONATO	DISTANCIADOR PRIMER IMPULSOR	POLICARBONATO
20	ARBRE POMPE	ACIER INOXYDABLE AISI 420	EJE DE BOMBA	ACERO INOXYDABLE AISI 420
21	SEEGER	ACIER INOXYDABLE AISI 304	SEEGER	ACERO INOXYDABLE AISI 304
22	CHEMISE	ACIER INOXYDABLE AISI 304	CAMISA	ACERO INOXYDABLE AISI 304
23	BRIDE INFERIEURE	ACIER INOXYDABLE AISI 304	GRAPA INFERIOR	ACERO INOXYDABLE AISI 304
24	N.2 VIS POUR BRIDE INFERIEURE	ACIER INOXYDABLE AISI 304	N.2 TORNILLOS GRAPA INFERIOR	ACERO INOXYDABLE AISI 304
25	PROTECTION CABLE	ACIER INOXYDABLE AISI 304	PARACABLE	ACERO INOXYDABLE AISI 304
26	BRIDE SUPERIEURE	ACIER INOXYDABLE AISI 304	GRAPA SUPERIOR	ACERO INOXYDABLE AISI 304
27	N.2 VIS POUR BRIDE SUPERIEURE	ACIER INOXYDABLE AISI 304	N.2 TORNILLOS GRAPA SUPERIOR	ACERO INOXYDABLE AISI 304
28	ADHESIVE ÉTIQUETTE	PLASTIQUE	ETIQUETA	PLASTICO
29	N.2 VIS POUR CRÉPINE	ACIER INOXYDABLE AISI 304	N.2 TORNILLOS REJILLA	ACERO INOXYDABLE AISI 304

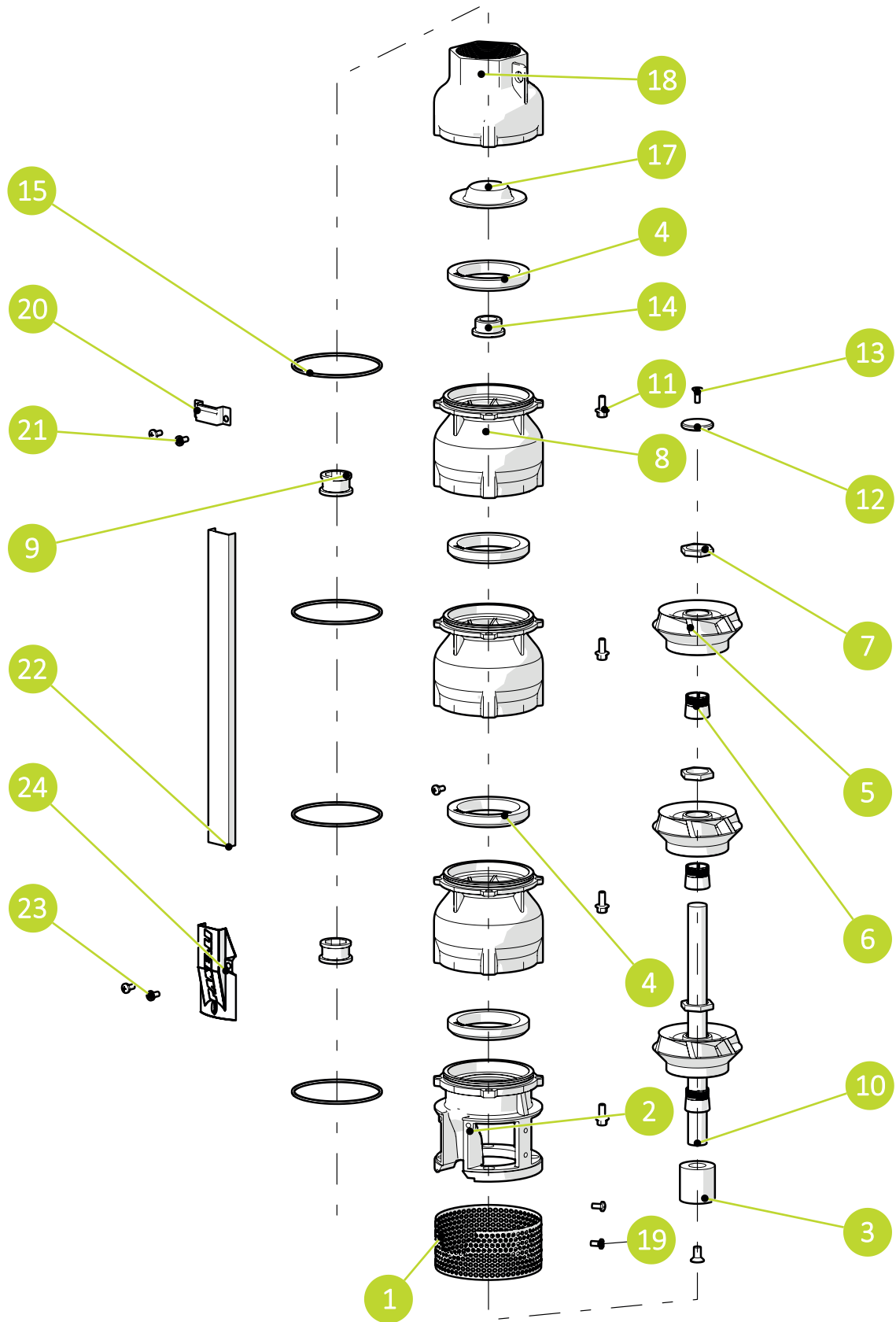
* 95 PRX 18

ACCIAIO INOX AISI 304
 AISI 304
 ACIER INOXYDABLE AISI 304 ACERO
 INOXYDABLE AISI 304

* 95 PRG 18

GHISA
 CAST IRON
 FONTE
 HIERRO FUNDIDO

SPARE PARTS 4" REC18 / SX18



SPARE PARTS 4" REC18 / SX18

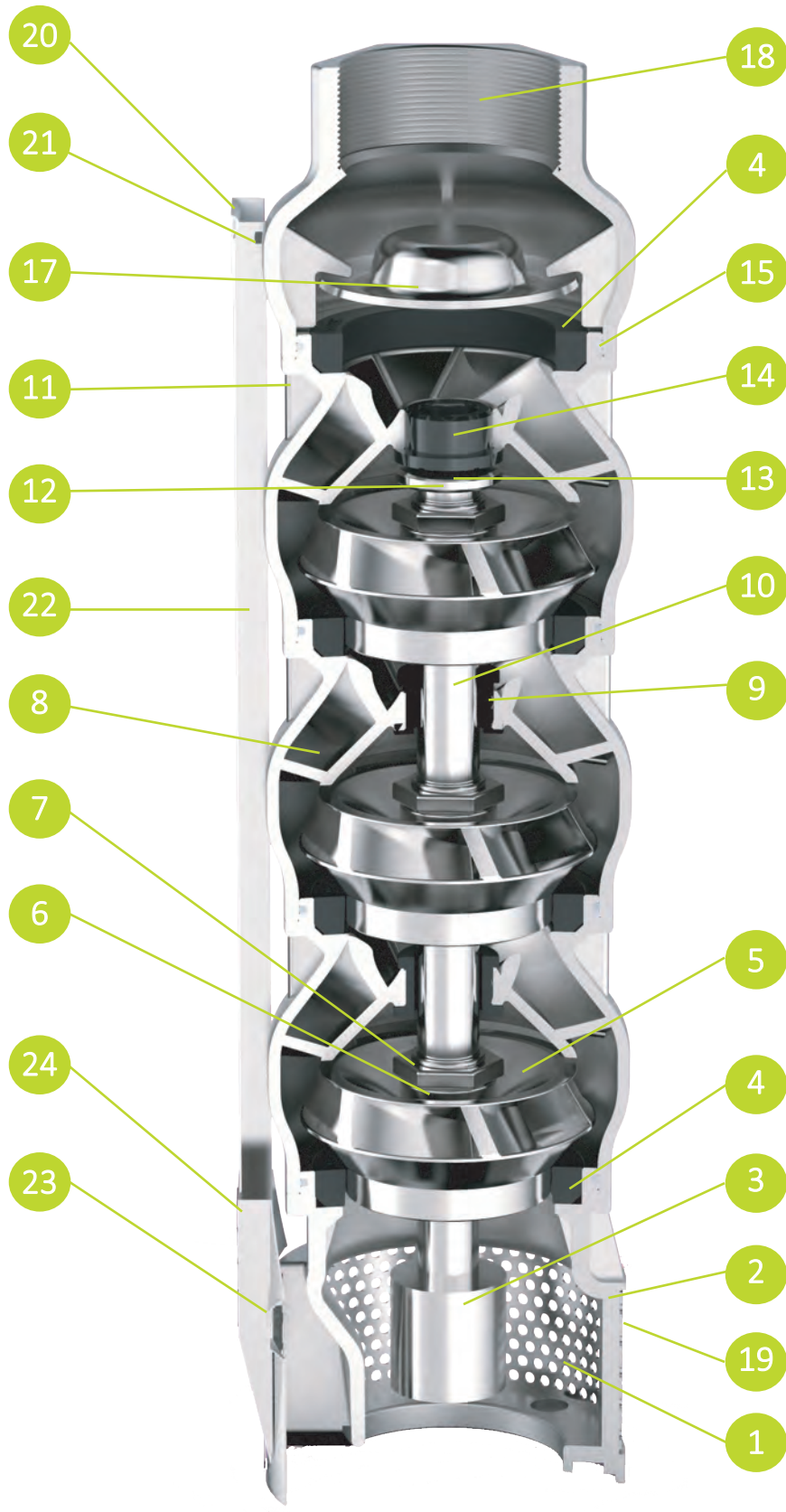
95 SX 18				
N.CODE	DESCRIZIONE (Italiano)	MATERIALE (Italiano)	DESCRIPTION (English)	MATERIAL (English)
1	SUCCHERUOLA	ACCIAIO INOX AISI 304	SUCTION STRAINER	AISI 304
2 *	GABBIA DI ASPIRAZIONE	ACCIAIO INOX AISI 304	SUCTION CAGE	AISI 304
3	GIUNTO	ACCIAIO INOX AISI 304	JOINT	AISI 304
4	ANELLO USURA	GOMMA	USURY RING	NBR
5 *	GIRANTE	ACCIAIO INOX AISI 304	IMPELLER	AISI 304
6	CONO	ACCIAIO INOX AISI 304	CONE	AISI 304
7	GHIERA	ACCIAIO INOX AISI 304	HEXAGONAL RING	AISI 304
8 *	DIFFUSORE	ACCIAIO INOX AISI 304	DIFFUSEUR	AISI 304
9	BRONZINA	GOMMA	BEARING BUSH	NBR
10	ALBERO POMPA	ACCIAIO INOX AISI 304	PUMP SHAFT	AISI 304
11	N.4 VITI PER DIFFUSORE	ACCIAIO INOX AISI 304	N.4 SCREW FOR DIFFUSEUR	AISI 304
12	DISCO ACCIAIO	ACCIAIO INOX AISI 304	RING	AISI 304
13	VITE DISCO ACCIAIO	ACCIAIO INOX AISI 304	SCREW FOR DISK	AISI 304
14	CONTROSOSPENSIONE	PTFE + 25% CARBONE	COUNTERTHRUST	PTFE + 25 CARBON
15	O-RING	GOMMA	O-RING	NBR
4	GUARNIZIONE FARFALLA	GOMMA	GASKET VALVE	NBR
17	FARFALLA	ACCIAIO INOX AISI 304	CAP VALVE	AISI 304
18 *	MANDATA	ACCIAIO INOX AISI 304	DELIVERY BOWL	AISI 304
19	N.2 VITI PER SUCCHERUOLA	ACCIAIO INOX AISI 304	N.2 SCREW FOR SUCTION STRAINER	AISI 304
20	STAFFETTA SUPERIORE	ACCIAIO INOX AISI 304	UPPER FLANGE	AISI 304
21	N.2 VITI STAFFETTA SUPERIORE	ACCIAIO INOX AISI 304	N.2 SCREW FOR UPPER FLANGE	AISI 304
22	COPRICAVO	ACCIAIO INOX AISI 304	COVER CABLE	AISI 304
23	N.2 VITI STAFFETTA INFERIORE	ACCIAIO INOX AISI 304	N.2 SCREW FOR LOWER FLANGE	AISI 304
24	STAFFETTA INFERIORE	ACCIAIO INOX AISI 304	LOWER FLANGE	AISI 304

N.CODE	DESCRIPTION (Français)	MATÉRIEL (Français)	DESCRIPCIÓN (Español)	MATERIAL (Español)
1	CREPINE	ACIER INOXYDABLE AISI 304	REJILLA	ACERO INOXYDABLE AISI 304
2 *	CAGE D'ASPIRATION	ACIER INOXYDABLE AISI 304	CUERPO DE ASPIRACION	ACERO INOXYDABLE AISI 304
3	JOINT	ACIER INOXYDABLE AISI 304	ACOPLAMIENTO	ACERO INOXYDABLE AISI 304
4	BAGUE D'USURE	CAOUTCHOUC	ANILLO DE DESGASTE	GOMA
5 *	ROUE	ACIER INOXYDABLE AISI 304	IMPULSOR	ACERO INOXYDABLE AISI 304
6	CONO	ACIER INOXYDABLE AISI 304	CONO	ACERO INOXYDABLE AISI 304
7	BAGUE	ACIER INOXYDABLE AISI 304	ANILLO HEXAGONAL	ACERO INOXYDABLE AISI 304
8 *	DIFFUSEUR	ACIER INOXYDABLE AISI 304	DIFUSOR	ACERO INOXYDABLE AISI 304
9	COUSSINET	CAOUTCHOUC	COJINETE	GOMA
10	ABRE POMPE	ACIER INOXYDABLE AISI 304	EJE DE BOMBA	ACERO INOXYDABLE AISI 304
11	N.4 VIS POUR DIFFUSEUR	ACIER INOXYDABLE AISI 304	N4.TORNILLOS DIFUSOR	ACERO INOXYDABLE AISI 304
12	RING	ACIER INOXYDABLE AISI 304	ANILLO EN ACERO	ACERO INOXYDABLE AISI 304
13	VIS RING	ACIER INOXYDABLE AISI 304	TORNILLO POR ANILLO EN ACERO	ACERO INOXYDABLE AISI 304
14	CONTRESUSPENSION	PTFE + 25% GRAPHITE	CONTRA-SUSPENSION	PTFE + 25% GRAPHITE
15	O-RING	CAOUTCHOUC	ANILLO TOROIDAL	GOMA
4	GASKET VALVE	CAOUTCHOUC	JUNTA DE VALVULA	GOMA
17	PLAT	ACIER INOXYDABLE AISI 304	VALVULA	ACERO INOXYDABLE AISI 304
18 *	REFOULEMENT	ACIER INOXYDABLE AISI 304	CUERPO DE IMPULSION	ACERO INOXYDABLE AISI 304
19	N.2 VIS POUR CREPINE	ACIER INOXYDABLE AISI 304	N.2 TORNILLOS REJILLA	ACERO INOXYDABLE AISI 304
20	BRIDE SUPERIEURE	ACIER INOXYDABLE AISI 304	GRAPA SUPERIOR	ACERO INOXYDABLE AISI 304
21	N.2 VIS POUR BRIDE SUPERIEURE	ACIER INOXYDABLE AISI 304	N.2 TORNILLOS GRAPA SUPERIOR	ACERO INOXYDABLE AISI 304
22	PROTECTOR CABLE	ACIER INOXYDABLE AISI 304	PARACABLE	ACERO INOXYDABLE AISI 304
23	N.2 VIS POUR BRIDE INFERIEURE	ACIER INOXYDABLE AISI 304	N.2 TORNILLOS GRAPA INFERIOR	ACERO INOXYDABLE AISI 304
24	BRIDE INFERIEURE	ACIER INOXYDABLE AISI 304	GRAPA INFERIOR	ACERO INOXYDABLE AISI 304

*** 95 REC 18**

GHISA G25
 CAST IRON G25 FONTE
 G25
 HIERRO FUNDIDO G25

SPARE PARTS 4" REC18 / SX18



SPARE PARTS 4" PR18 / PRG18 / PRX18

95 SX 18

N.CODE	DESCRIZIONE (Italiano)	MATERIALE (Italiano)	DESCRIPTION (English)	MATERIAL (English)
1	SUCCHERUOLA	ACCIAIO INOX AISI 304	SUCTION STRAINER	AISI 304
2 *	GABBIA DI ASPIRAZIONE	ACCIAIO INOX AISI 304	SUCTION CAGE	AISI 304
3	GIUNTO	ACCIAIO INOX AISI 304	JOINT	AISI 304
4	ANELLO USURA	GOMMA	USURY RING	NBR
5 *	GIRANTE	ACCIAIO INOX AISI 304	IMPELLER	AISI 304
6	CONO	ACCIAIO INOX AISI 304	CONE	AISI 304
7	GHIERA	ACCIAIO INOX AISI 304	HEXAGONAL RING	AISI 304
8 *	DIFFUSORE	ACCIAIO INOX AISI 304	DIFFUSEUR	AISI 304
9	BRONZINA	GOMMA	BEARING BUSH	NBR
10	ALBERO POMPA	ACCIAIO INOX AISI 304	PUMP SHAFT	AISI 304
11	N.4 VITI PER DIFFUSORE	ACCIAIO INOX AISI 304	N.4 SCREW FOR DIFFUSEUR	AISI 304
12	DISCO ACCIAIO	ACCIAIO INOX AISI 304	RING	AISI 304
13	VITE DISCO ACCIAIO	ACCIAIO INOX AISI 304	SCREW FOR DISK	AISI 304
14	CONTROSOSPENSIONE	PTFE + 25% CARBONE	COUNTERTHRUST	PTFE + 25 CARBON
15	O-RING	GOMMA	O-RING	NBR
4	GUARNIZIONE FARFALLA	GOMMA	GASKET VALVE	NBR
17	FARFALLA	ACCIAIO INOX AISI 304	CAP VALVE	AISI 304
18 *	MANDATA	ACCIAIO INOX AISI 304	DELIVERY BOWL	AISI 304
19	N.2 VITI PER SUCCHERUOLA	ACCIAIO INOX AISI 304	N.2 SCREW FOR SUCTION STRAINER	AISI 304
20	STAFFETTA SUPERIORE	ACCIAIO INOX AISI 304	UPPER FLANGE	AISI 304
21	N.2 VITI STAFFETTA SUPERIORE	ACCIAIO INOX AISI 304	N.2 SCREW FOR UPPER FLANGE	AISI 304
22	COPRICAVO	ACCIAIO INOX AISI 304	COVER CABLE	AISI 304
23	N.2 VITI STAFFETTA INFERIORE	ACCIAIO INOX AISI 304	N.2 SCREW FOR LOWER FLANGE	AISI 304
24	STAFFETTA INFERIORE	ACCIAIO INOX AISI 304	LOWER FLANGE	AISI 304

N.CODE	DESCRIPTION (Français)	MATÉRIEL (Français)	DESCRIPCIÓN (Español)	MATERIAL (Español)
1	CREPINE	ACIER INOXYDABLE AISI 304	REJILLA	ACERO INOXYDABLE AISI 304
2 *	CAGE D'ASPIRATION	ACIER INOXYDABLE AISI 304	CUERPO DE ASPIRACION	ACERO INOXYDABLE AISI 304
3	JOINT	ACIER INOXYDABLE AISI 304	ACOPLAMIENTO	ACERO INOXYDABLE AISI 304
4	BAGUE D'USURE	CAOUTCHOUC	ANILLO DE DESGASTE	GOMA
5 *	ROUE	ACIER INOXYDABLE AISI 304	IMPULSOR	ACERO INOXYDABLE AISI 304
6	CONO	ACIER INOXYDABLE AISI 304	CONO	ACERO INOXYDABLE AISI 304
7	BAGUE	ACIER INOXYDABLE AISI 304	ANILLO HEXAGONAL	ACERO INOXYDABLE AISI 304
8 *	DIFFUSEUR	ACIER INOXYDABLE AISI 304	DIFUSOR	ACERO INOXYDABLE AISI 304
9	COUSSINET	CAOUTCHOUC	COJINETE	GOMA
10	ABRE POMPE	ACIER INOXYDABLE AISI 304	EJE DE BOMBA	ACERO INOXYDABLE AISI 304
11	N.4 VIS POUR DIFFUSEUR	ACIER INOXYDABLE AISI 304	N4.TORNILLOS DIFUSOR	ACERO INOXYDABLE AISI 304
12	RING	ACIER INOXYDABLE AISI 304	ANILLO EN ACERO	ACERO INOXYDABLE AISI 304
13	VIS RING	ACIER INOXYDABLE AISI 304	TORNILLO POR ANILLO EN ACERO	ACERO INOXYDABLE AISI 304
14	CONTRESUSPENSION	PTFE + 25% GRAPHITE	CONTRA-SUSPENSION	PTFE + 25% GRAPHITE
15	O-RING	CAOUTCHOUC	ANILLO TOROIDAL	GOMA
4	GASKET VALVE	CAOUTCHOUC	JUNTA DE VALVULA	GOMA
17	PLAT	ACIER INOXYDABLE AISI 304	VALVULA	ACERO INOXYDABLE AISI 304
18 *	REFOULEMENT	ACIER INOXYDABLE AISI 304	CUERPO DE IMPULSION	ACERO INOXYDABLE AISI 304
19	N.2 VIS POUR CREPINE	ACIER INOXYDABLE AISI 304	N.2 TORNILLOS REJILLA	ACERO INOXYDABLE AISI 304
20	BRIDE SUPERIEURE	ACIER INOXYDABLE AISI 304	GRAPA SUPERIOR	ACERO INOXYDABLE AISI 304
21	N.2 VIS POUR BRIDE SUPERIEURE	ACIER INOXYDABLE AISI 304	N.2 TORNILLOS GRAPA SUPERIOR	ACERO INOXYDABLE AISI 304
22	PROTECTOR CABLE	ACIER INOXYDABLE AISI 304	PARACABLE	ACERO INOXYDABLE AISI 304
23	N.2 VIS POUR BRIDE INFERIEURE	ACIER INOXYDABLE AISI 304	N.2 TORNILLOS GRAPA INFERIOR	ACERO INOXYDABLE AISI 304
24	BRIDE INFERIEURE	ACIER INOXYDABLE AISI 304	GRAPA INFERIOR	ACERO INOXYDABLE AISI 304

* 95 REC 18

GHISA G25
 CAST IRON G25 FONTE
 G25
 HIERRO FUNDIDO G25