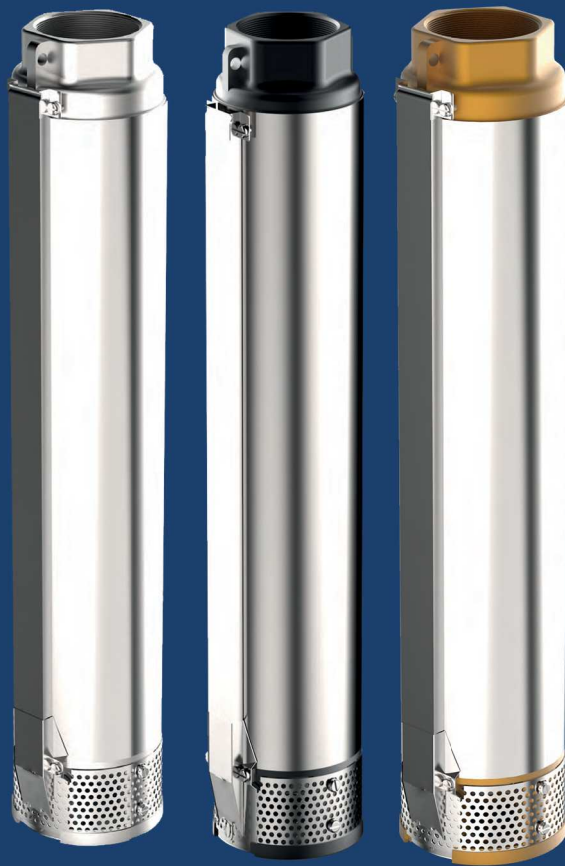




## 4" Floating Impeller Submersible Pumps

---

Made in Italy



Catalogo 50 Hz



## 4" 95 PR / PRX / PRG SUBMERSIBLE PUMP - FLOATING IMPELLER

*Noryl Diffuser - Noryl Impeller*

*Internal element and pump sleeve in Stainless Steel AISI 304*

95 PR

*Suction cage and delivery bowl in brass*

95 PRX

*Suction cage and delivery bowl in stainless steel*

95 PRG

*Suction cage and delivery bowl in cast iron with ced (cathode electro deposition)*

Maximum sand tolerance 300 gr/m<sup>3</sup>

95 PR



95 PRX



95 PRG





**ELECTRIC SUBMERSIBLE PUMPS CASED VERSION 4" (SERIES 95 PR N/95 PRX N / 95 PRG N)** Pumps suitable for clean water supply (max. water temp. 35°C) for domestic and industrial applications such as pressure boosters, firefighting systems and irrigation.

The submersible pumps series 95 PR N /95 PRX N 7 95 PRG N are the smallest in the wide range of submersible pumps manufactured by SISTEMA. The patented know-how of the floating impeller with front shim adjustment enhances the water flow into the pump with important hydraulic and functional advantages.

### ADVANTAGES

- High Efficiency
- High wear resistance to sand
- Longer pump life thanks to the high quality of materials and to the specific floating impeller design
- Very low maintenance need
- Components F.D.A approved

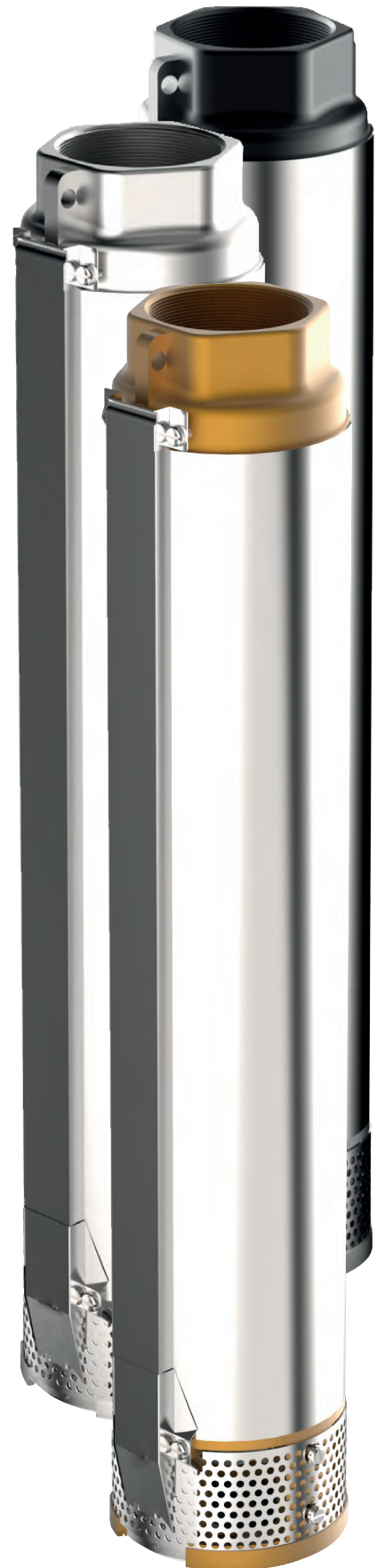
### MATERIALS

The materials of standard execution are: Impeller in technopolymer (Lexan) Diffuser in technopolymer (Noryl GFN2) Intermediate casing in Stainless Steel AISI 304 External sleeve in Stainless Steel AISI 304. Delivery bowl and suction cage in brass or stainless steel. Non return valve in Stainless Steel AISI 304 included. Besides standard construction the pumps can be manufacture with the Delivery Bowl and suction cage in casted stainless steel AISI 304 (SERIES 95 PRX), suction cage and delivery bowl in cast iron with CED (cathodo electro deposition) (SERIE 95 PRG).

### HYDRAULIC PERFORMANCES

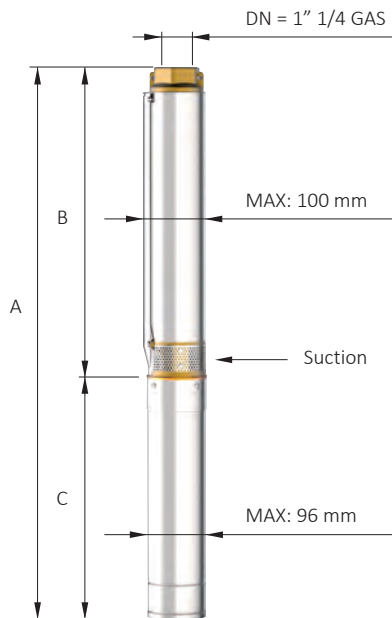
Capacity up to 24 m<sup>3</sup>/h with the unique High Capacity Series (95 PR 18, 95 PRX 18, 95 PRG 18 , 95 REC 18, 95 SX18). Head up to 470 m Power range up to 7,5 kW-10HP.

Maximum sand content 300 g/m<sup>3</sup> of water (High Capacity Series max 50 g/m<sup>3</sup> of water, 95 REC - 95 SX - 95 PR 18, 95 PRX 18, 95 PRG 18).



## 4" 95 PR1 / PRG1 / PRX1 - HYDRAULIC PERFORMANCES

Motor						50 Hz - 2900 rpm								Q= - Capacity - Debit							
Type	Power		Mono Fase Single phase V230		V 400	l/min	0	5	10	15	20	25	30	35							
							l/sec	0	0,08	0,17	0,25	0,33	0,42	0,50	0,58						
	kW	HP	A	μF	A	m³/h	0	0,3	0,6	0,9	1,2	1,5	1,8	2,1							
95 PR 1 N/12	0,37	0,5	3,5	12,5	1,3	H[m]	72	71	67	63	58	53	47	39							
95 PR 1 N/18	0,55	0,75	5	16	1,7		108	106	100	95	87	79	70	59							
95 PR 1 N/24	0,75	1	6,5	20	2,2		144	142	134	126	116	106	94	78							
95 PR 1 N/35	1,10	1,5	9,6	30	3,1		210	207	195	184	169	154	137	114							
95 PR 1 N/45	1,50	2	11,8	40	4		270	266	251	236	217	198	176	146							
95 PR 1 N/68	2,20	3	15,2	75	5,8		408	402	379	357	328	300	266	221							



Type	Motor 50 Hz - 2900 rpm					Overall dimensions and weights			
	A mm Mono V230M	A mm Tri V400	B mm	C mm Mono	C mm Tri	M kg Mono	M kg Tri	P kg	
95 PR 1 N/12	742	675	425	317	250	6	7	4,5	
95 PR 1 N/18	894	874	557	337	317	8	8	5,7	
95 PR 1 N/24	1073	1048	711	362	337	10	10	7	
95 PR 1 N/35	1345	1315	953	392	362	12	12	9,3	
95 PR 1 N/45	1617	1587	1195	422	392	13	13	11,5	
95 PR 1 N/68	2190	2175	1723	467	452	15	15	14,5	

n% = Pump efficiency  
W/st = Stage absorption

Max 49,8 %  
Max 32,20



### 95 PR

Suction cage and delivery bowl in brass



### 95 PRG

Suction cage and delivery bowl in cast iron with CED  
(Cathode Electro Deposition)

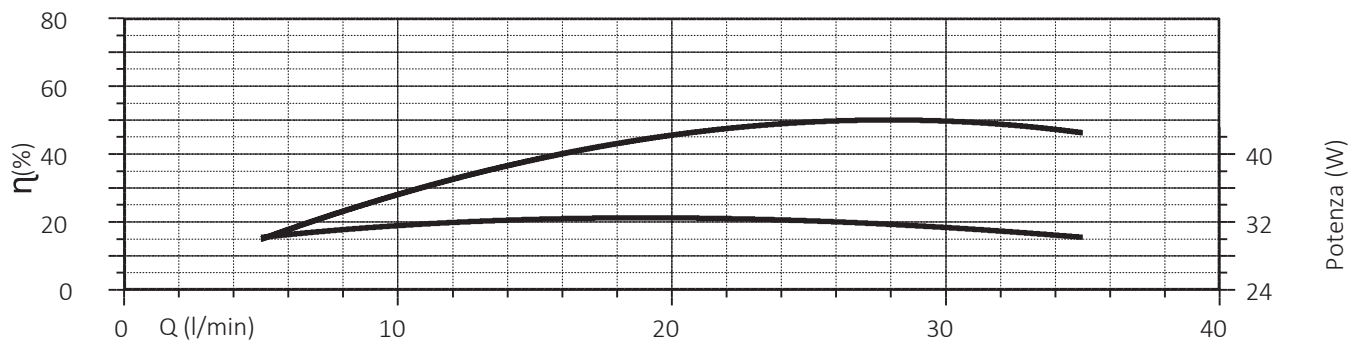
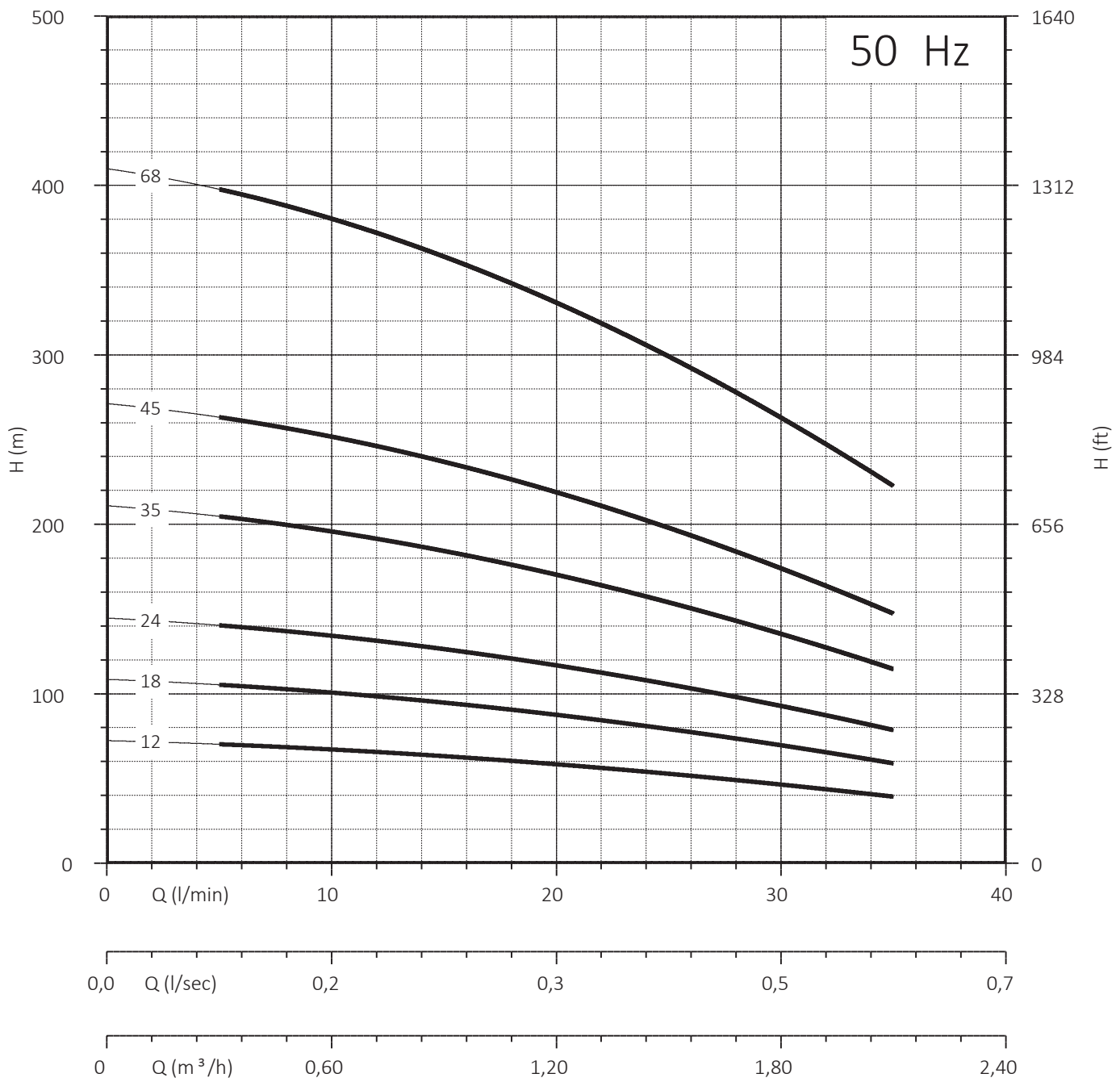


### 95 PRX

Suction cage and delivery bowl in AISI 304 casted



4" 95 PR1 / PRG1 / PRX1 - HYDRAULIC PERFORMANCES

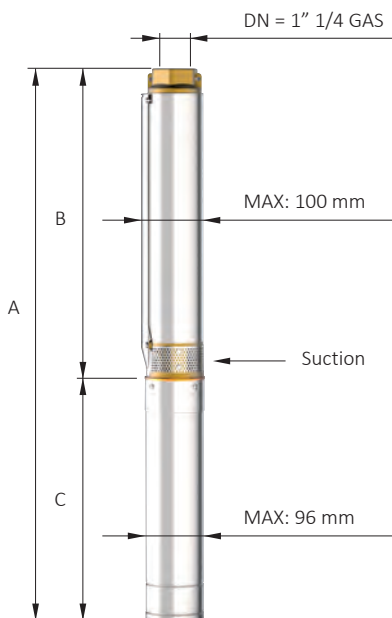


NPSH (m)		25%	50%	75%	100%
95 PR 1	95 PRX 1 95 PRG 1	2	2	2,2	2,7

sand tolerance 300 g/m<sup>3</sup>

**4" 95 PR2 / PRG2 / PRX 2 - HYDRAULIC PERFORMANCES**

Motor 50 Hz - 2900 rpm						Q= Capacity - Debit						
Type	Power		Single phase V230		V 400	l/min	0	20	30	40	50	60
	kW	HP	A	µF	A	l/sec	0	0,33	0,50	0,67	0,83	1
						m³/h	0	1,2	1,8	2,4	3,0	3,6
95 PR2 N/10	0,55	0,75	5	20	1,7	H[m]	64	59	53	45	33	17
95 PR2 N/14	0,75	1	6,5	30	2,2		90	83	74	63	46	24
95 PR2 N/21	1,10	1,5	9,6	40	3,1		134	124	111	95	69	36
95 PR2 N/29	1,50	2	11,8	50	4,0		186	171	154	131	96	49
95 PR2 N/42	2,20	3	15,2	75	5,8		269	248	223	189	139	71
95 PR2 N/56	3	4	-	-	7,5		358	330	297	252	185	95
95 PR2 N/70	4	5,5	-	-	9,8		448	413	371	315	231	119



Type	Overall dimensions and weights							
	A mm Mono V230M	A mm Tri V400	B mm	C mm	C mm Tri	M kg Mono	M kg Tri	P kg
95 PR2 N/10	718	698	381	337	317	8	8	4
95 PR2 N/14	831	806	469	362	337	10	10	4,3
95 PR2 N/21	1037	1007	645	392	362	12	12	5,3
95 PR2 N/29	1243	1213	821	422	392	13	13	6,5
95 PR2 N/42	1596	1581	1129	467	452	15	15	8,3
95 PR2 N/56	0	1994	1437	0	557	0	19	10,8
95 PR2 N/70	0	2364	1767	0	597	0	22	13,4

n% = Pump efficiency  
W/st = Stage absorption

Max 55%  
Max 52



**95 PR**

*Suction cage and delivery bowl in brass*



**95 PRG**

*Suction cage and delivery bowl in cast iron with CED (Cathode Electro Deposition)*

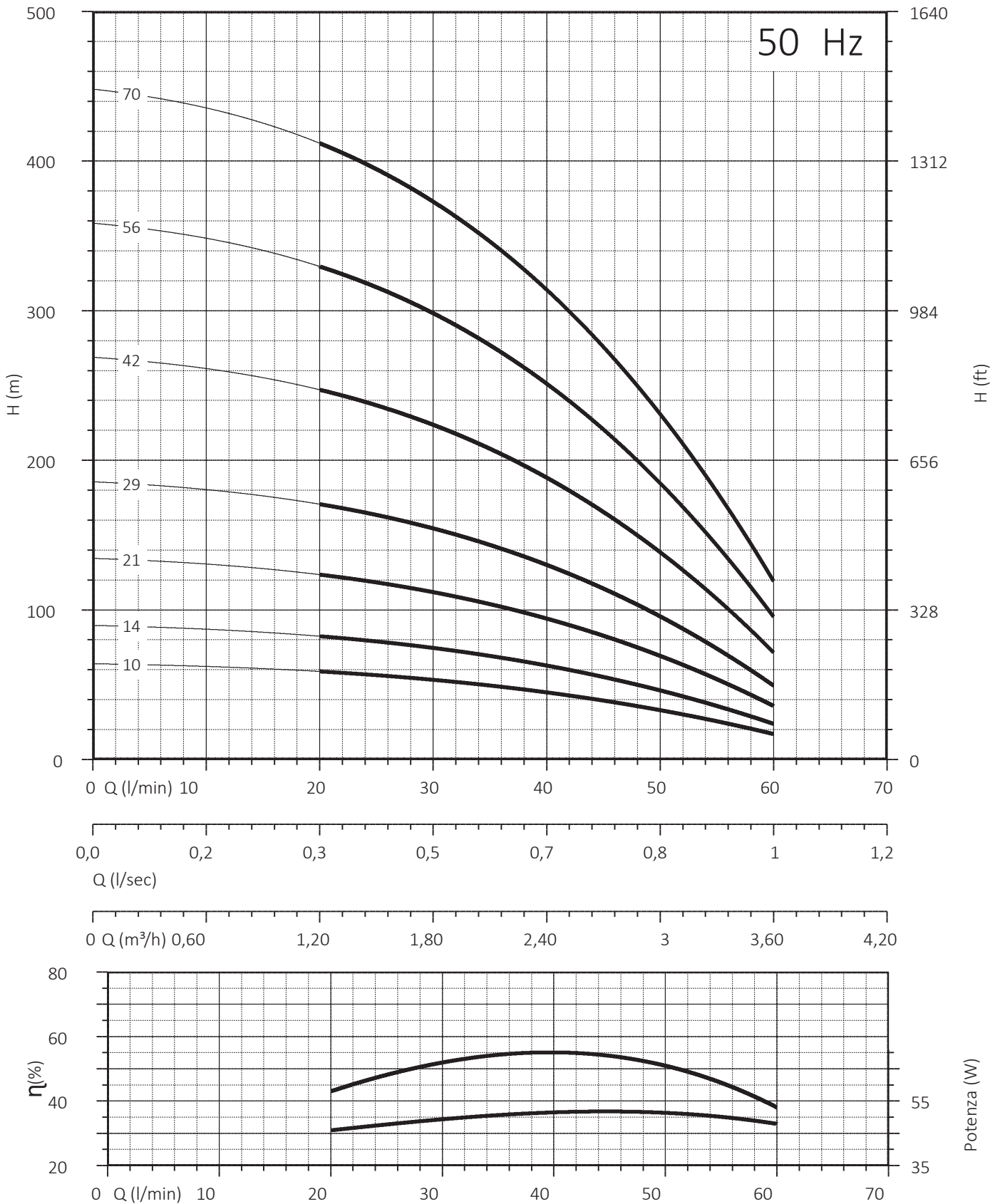


**95 PRX**

*Suction cage and delivery bowl in AISI 304 casted*



4" 95 PR2 / PRG2 / PRX 2 - HYDRAULIC PERFORMANCES

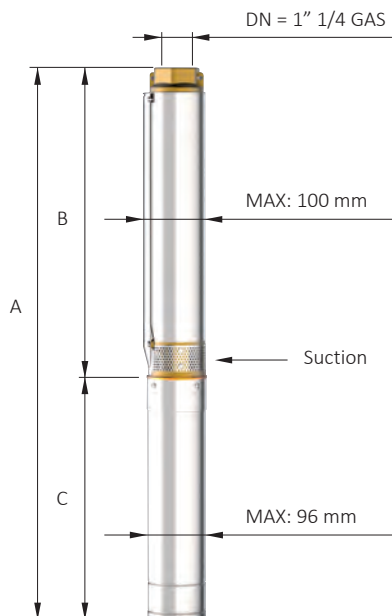


NPSH (m)			25%	50%	75%	100%
95 PR 2	95 PRX 2	95 PRG 2	2	2	2,5	3,2

sand tolerance 300 g/m<sup>3</sup>

**4" 95 PR3 / PRG3 / PRX3 - HYDRAULIC PERFORMANCES**

Motor		50 Hz - 2900 rpm				Q= Capacity - Debit									
Type	Power		Mono Fase Single phase V230		V 400	l/min	0	20	30	40	50	60	70	80	90
	kW	HP	A	μF	A	l/sec	0	0,33	0,50	0,67	0,83	1	1,17	1,33	1,50
						m³/h	0	1,2	1,8	2,4	3	3,6	4,2	4,8	5,4
95 PR3 N/08	0,55	0,75	5	20	1,3	H[m]	50	48	46	44	40	35	29	23	15
95 PR3 N/11	0,75	1	6,5	30	1,7		69	66	63	61	55	48	40	32	21
95 PR3 N/16	1,10	1,5	9,6	40	2,2		100	96	92	88	80	70	58	46	30
95 PR3 N/22	1,50	2	11,8	50	3,1		138	132	127	121	110	96	80	63	41
95 PR3 N/33	2,20	3	15,2	75	4		206	198	190	182	165	144	120	95	62
95 PR3 N/44	3	4	-	-	5,8		275	264	253	242	220	193	160	127	83
95 PR3 N/58	4	5,5	-	-	9,8		363	348	334	319	290	254	210	167	109



Motor 50 Hz - 2900 rpm	Overall dimensions and weights							
Type	A mm Mono V230M	A mm Tri V400	B mm	C mm Mono	C mm Tri	M kg Mono	M kg Tri	P kg
95 PR3 N/08	674	654	337	337	317	8	8	3,7
95 PR3 N/11	765	740	403	362	337	10	10	4,5
95 PR3 N/16	927	897	535	392	362	12	12	5,7
95 PR3 N/22	1089	1059	667	422	392	13	13	7,2
95 PR3 N/33	1376	1361	909	467	452	15	15	10
95 PR3 N/44	0	1730	1173	0	557	0	19	12,7
95 PR3 N/58	0	2100	1503	0	597	0	22	16,2

n% = Pump efficiency W/st  
= Stage absorption

Max 63%  
Max 69


**95 PR**

Suction cage and  
delivery bowl in brass


**95 PRG**

Suction cage and delivery bowl in  
cast iron with CED  
(Cathode Electro Deposition)

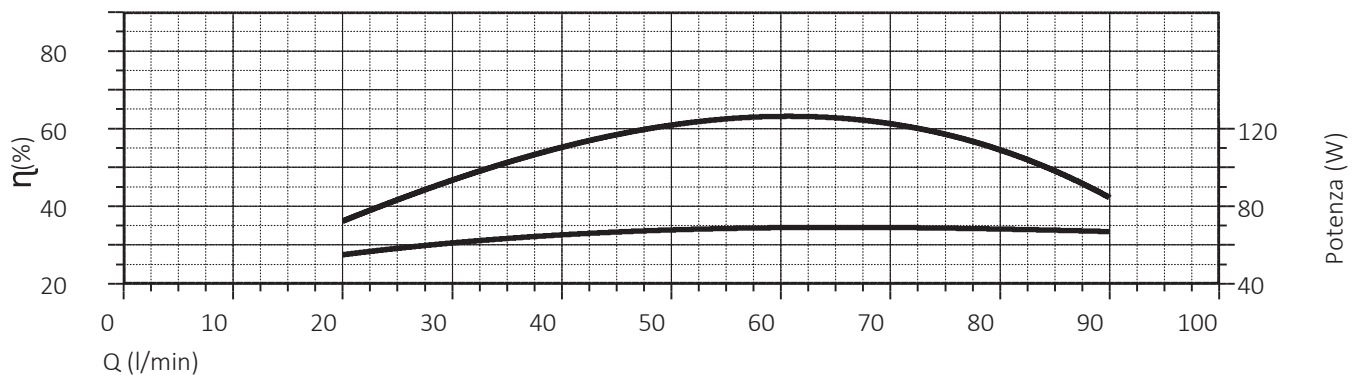
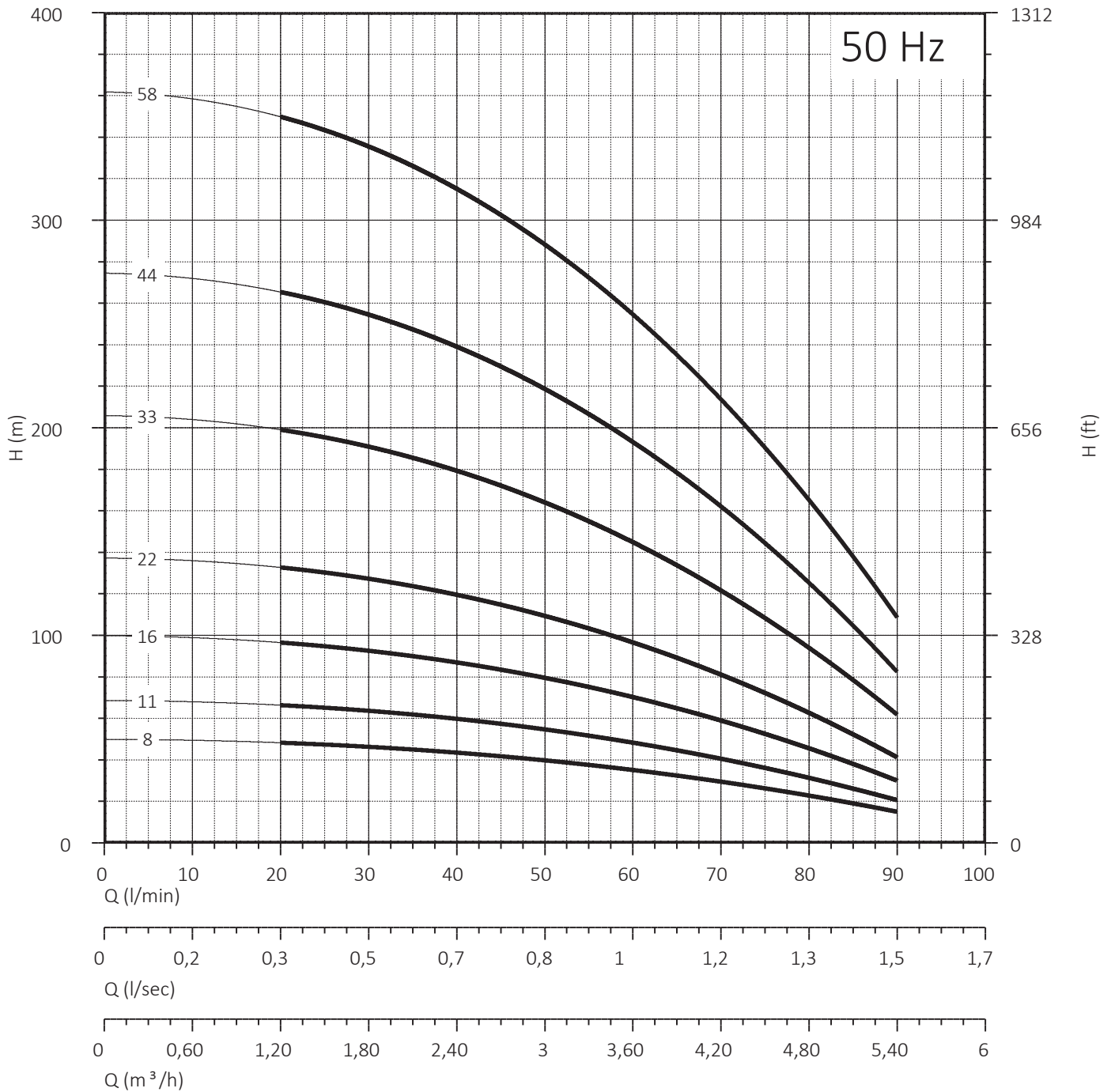

**95 PRX**

Suction cage and  
delivery bowl  
in AISI 304 casted





4" 95 PR3 / PRG3 / PRX3 - HYDRAULIC PERFORMANCES

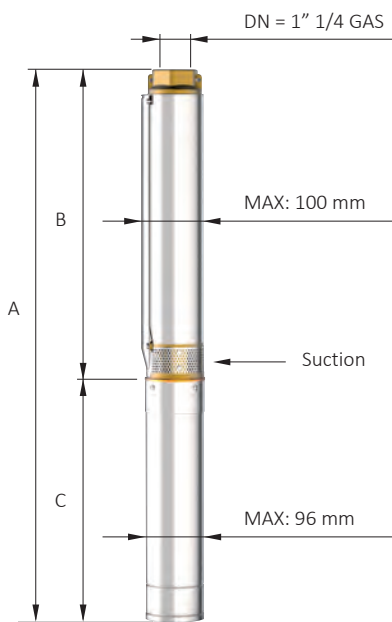


NPSH (m)		25%	50%	75%	100%
95 PR 3	95 PRX 3 95 PRG 3	2	2	2,5	3,2

sand tolerance 300 g/m<sup>3</sup>

**4" 95 PR4 / PRG4 / PRX4 - HYDRAULIC PERFORMANCES**

Motor						50 Hz - 2900 rpm							Q = Capacity - Debit							
Type	Power		Mono Fase Single phase V230		V 400	l/min	0	40	50	60	70	80	90	100						
							l/sec	0	0,67	0,83	1,00	1,17	1,33	1,50	1,67					
	kW	HP	A	μF	A	m³/h	0	2,4	3	3,6	4,2	4,8	5,4	6						
95 PR4 N/06	0,55	0,75	5	20	1,3	H[m]	42	39	37	34	31	27	23	18						
95 PR4 N/08	0,75	1	6,5	30	1,7		56	52	49	45	41	36	31	24						
95 PR4 N/13	1,10	1,5	9,6	40	2,2		91	85	80	74	67	59	50	39						
95 PR4 N/16	1,50	2	11,8	50	3,1		112	104	99	91	83	72	61	48						
95 PR4 N/23	2,20	3	15,2	75	4		161	150	142	130	119	104	88	69						
95 PR4 N/31	3	4	-	-	5,8		217	202	191	175	160	140	119	93						
95 PR4 N/42	4	5,5	-	-	9,8		294	273	259	238	217	189	161	126						
95 PR4 N/52	5,50	7,5	-	-	13,5		364	338	320	294	268	234	199	156						
95 PR4 N/68	7,50	10	-	-	17,5		476	442	419	385	351	306	260	204						



Motor 50 Hz - 2900 rpm	Overall dimensions and weights							
Type	A mm Mono V230M	A mm Tri V400	B mm	C mm Mono	C mm Tri	M kg Mono	M kg Tri	P kg
95 PR4 N/06	630	610	293	337	317	8	8	3,3
95 PR4 N/08	699	674	337	362	337	10	10	3,8
95 PR4 N/13	839	809	447	392	362	12	12	5
95 PR4 N/16	957	927	535	422	392	13	13	5,8
95 PR4 N/23	1156	1141	689	467	452	15	15	10
95 PR4 N/31	0	1422	865	0	557	0	19	12,3
95 PR4 N/42	0	1726	1129	0	597	0	22	15,5
95 PR4 N/52	0	2047	1349	0	698	0	27	18,5
95 PR4 N/68	0	2541	1723	0	818	0	32	23,2

n% = Pump efficiency W/st  
= Stage absorption

Max 64,5 %  
Max 92



**95 PR**  
Suction cage and  
delivery bowl in brass



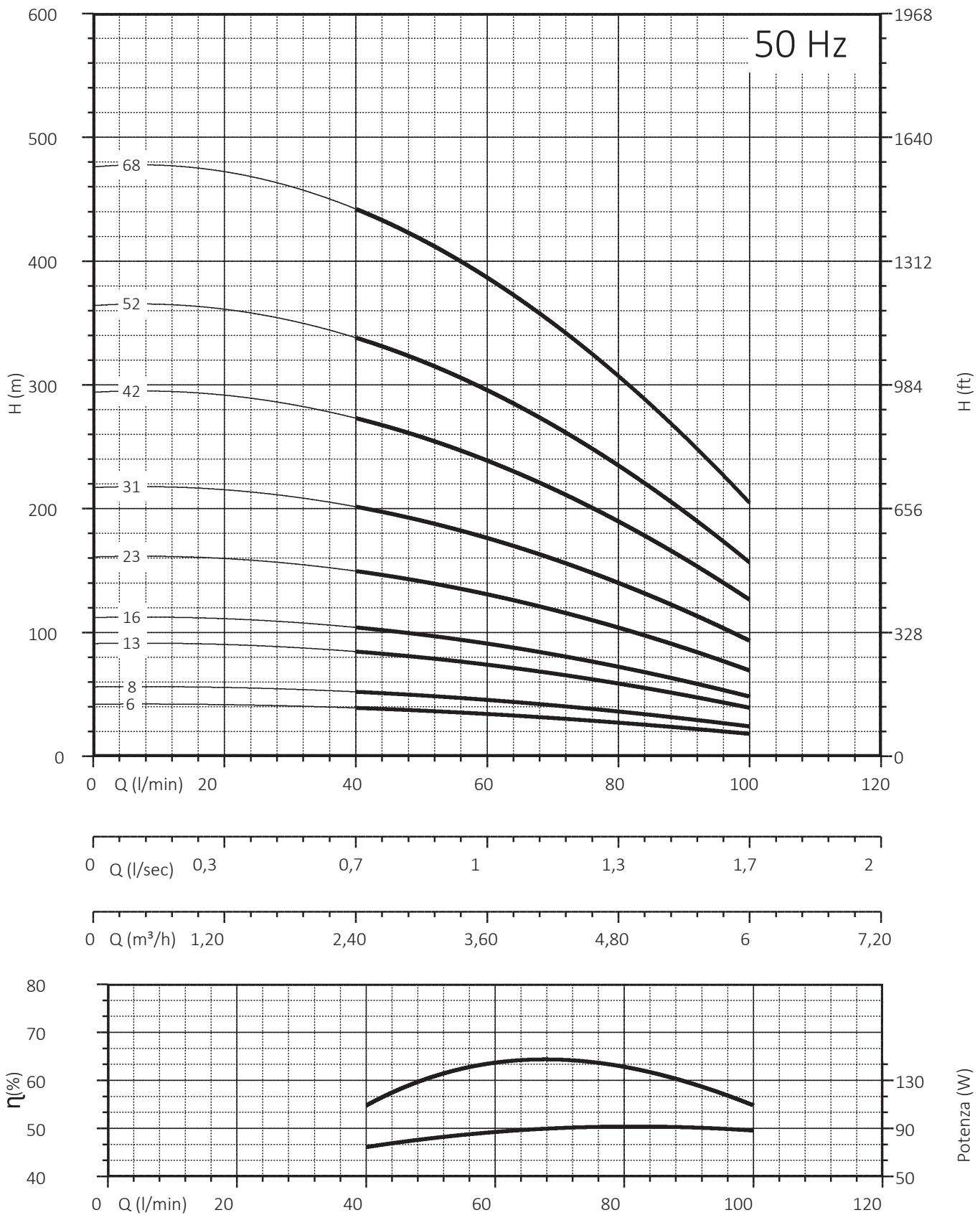
**95 PRG**  
Suction cage and delivery bowl in  
cast iron with CED  
(Cathode Electro Deposition)



**95 PRX**  
Suction cage and  
delivery bowl  
in AISI 304 casted



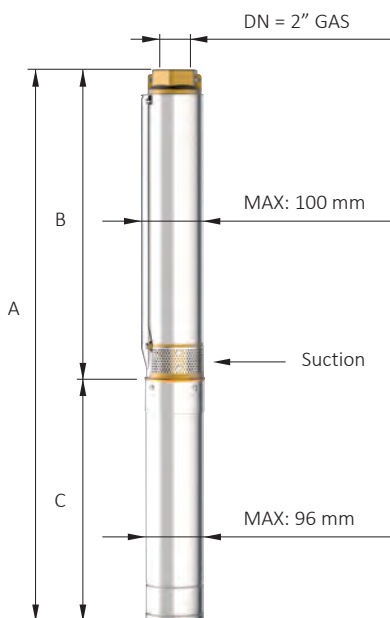
4" 95 PR4 / PRG4 / PRX4 - HYDRAULIC PERFORMANCES



sand tolerance 300 g/m<sup>3</sup>

**4" 95 PR6 / PRG6 / PRX6 - HYDRAULIC PERFORMANCES**

Motor		50 Hz - 2900 rpm					Q = Capacity - Debit							
Type	Power		Single phase V230		V 400	l/min	0	40	60	80	100	120	140	160
	kW	HP	A	μF	A	l/sec	0	0,67	1	1,33	1,67	2	2,33	2,67
						m³/h	0	2,4	3,6	4,8	6	7,2	8,4	9,6
95 PR6 N/04	0,55	0,75	5	20	1,7	H[m]	27	24	23	22	19	17	13	10
95 PR6 N/06	0,75	1	6,5	30	2,2		41	36	35	33	29	26	20	15
95 PR6 N/09	1,10	1,5	9,6	40	3,2		61	54	52	50	43	38	29	23
95 PR6 N/13	1,50	2	11,8	50	4		88	78	75	72	62	55	42	33
95 PR6 N/17	2,20	3	15,2	75	5,9		115	102	98	94	81	72	55	43
95 PR6 N/23	3	4	-	-	7,8		155	138	132	127	109	98	75	58
95 PR6 N/31	4	5,5	-	-	9,8		209	186	178	171	147	132	101	78
95 PR6 N/42	5,50	7,5	-	-	13,5		284	252	242	231	200	179	137	105
95 PR6 N/56	7,50	10	-	-	17,5		378	336	322	308	266	238	182	140



Motor 50 Hz - 2900 rpm	Overall dimensions and weights							
Type	A mm Mono V230M	A mm Tri V400	B mm	C mm Mono	C mm Tri	M kg	M kg Tri	P kg
95 PR6 N/04	618	598	281	337	317	8	8	3
95 PR6 N/06	703	678	341	362	337	10	10	3,5
95 PR6 N/09	823	793	431	392	362	12	12	4,5
95 PR6 N/13	995	965	573	422	392	13	13	6
95 PR6 N/17	1160	1145	693	467	452	15	15	7,5
95 PR6 N/23	0	1430	873	0	557	0	19	8,5
95 PR6 N/31	0	1732	1135	0	597	0	22	11
95 PR6 N/42	0	2185	1487	0	698	0	27	15,5
95 PR6 N/56	0	2747	1929	0	818	0	32	20

n% = Pump efficiency  
W/st = Stage absorption

Max 68%  
Max 118


**95 PR**

Suction cage and delivery bowl in brass


**95 PRG**

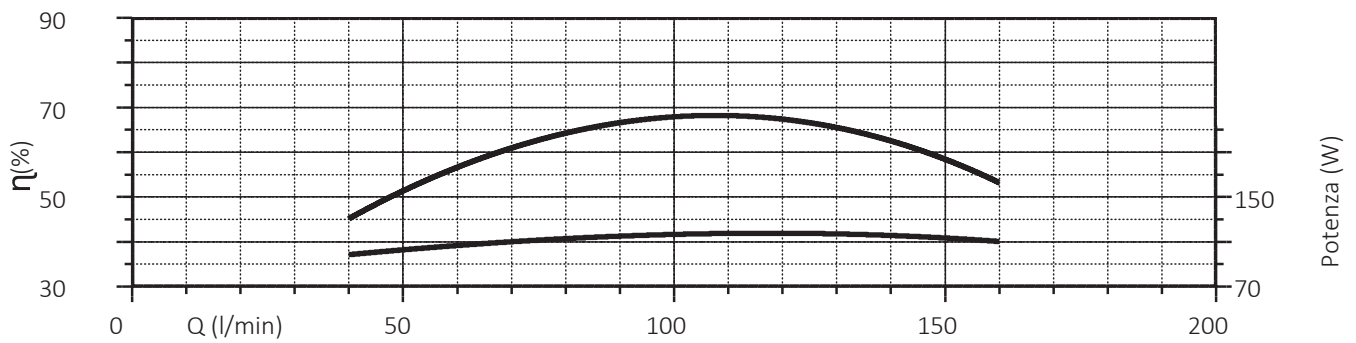
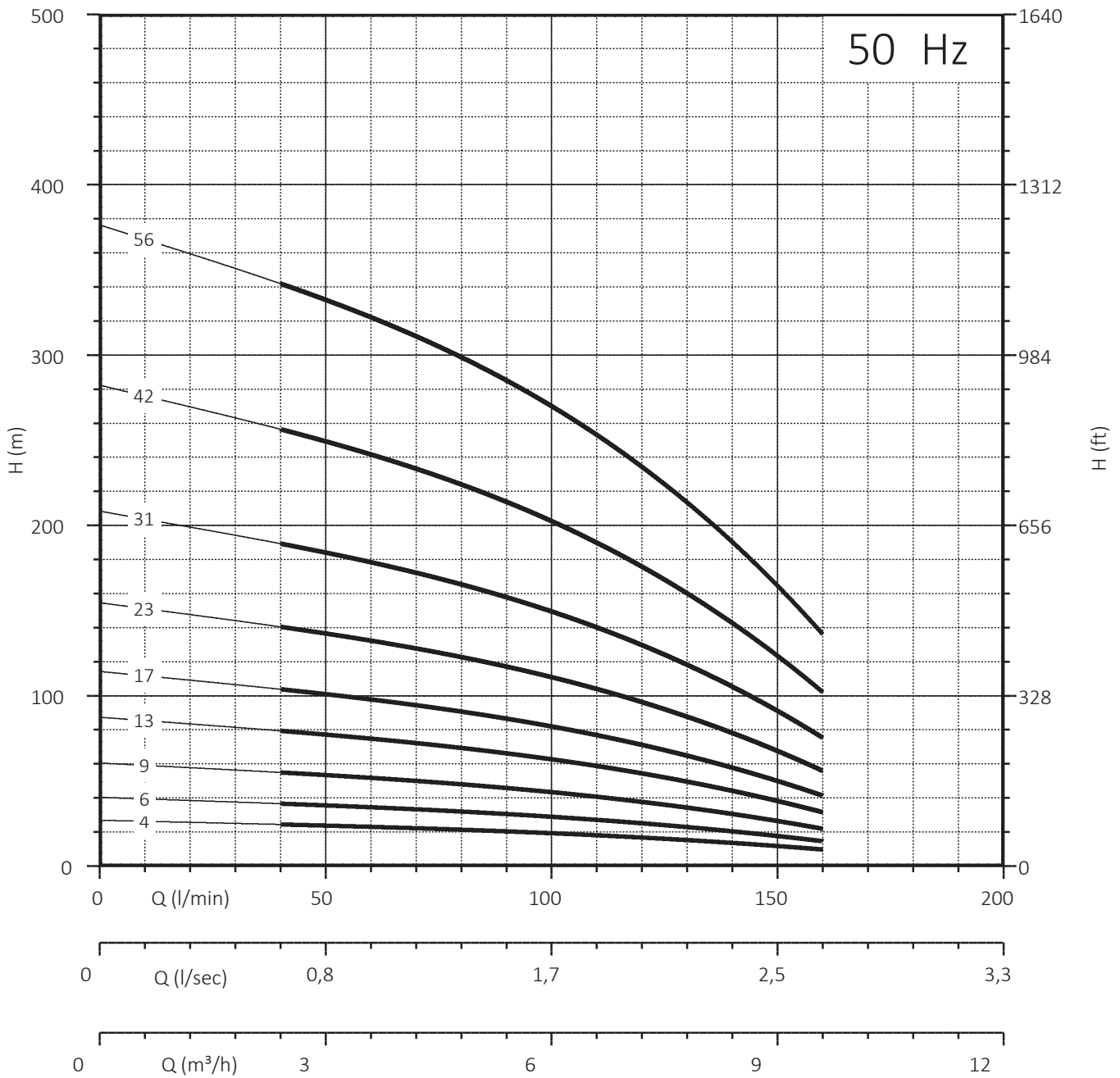
Suction cage and delivery bowl in cast iron with CED  
(Cathode Electro Deposition)


**95 PRX**

Suction cage and delivery bowl in AISI 304 casted



4" 95 PR6 / PRG6 / PRX6 - HYDRAULIC PERFORMANCES

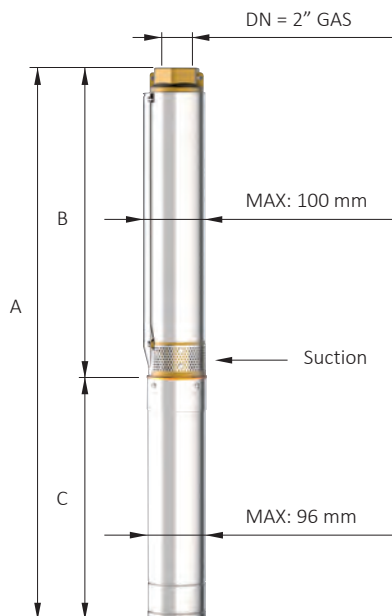


NPSH (m)		25%	50%	75%	100%
95 PR 6	95 PRX 6 95 PRG 6	2,2	2,2	2,7	3,5

sand tolerance 300 g/m<sup>3</sup>

**4" 95 PR8 / PRG8 / PRX8 - HYDRAULIC PERFORMANCES**

Motor						50 Hz - 2900 rpm							Q = Capacity - Debit				
Type	Power		Single phase V230		V 400	l/min	0	80	100	120	140	160	180	200			
	kW	HP	A	μF	A	l/sec	0	1,33	1,67	2,00	2,33	2,67	3,00	3,33			
						m³/h	0	4,8	6	7,2	8,4	9,6	10,8	12			
95 PR8 N/04	0,75	1	6,5	30	2,2	H[m]	27	25	23	22	20	17	14	10			
95 PR8 N/07	1,10	1,5	9,6	40	3,1		47	44	40	39	35	30	25	18			
95 PR8 N/09	1,50	2	11,8	50	4		61	56	52	50	45	38	32	23			
95 PR8 N/13	2,20	3	15,2	75	5,8		88	81	75	72	65	55	46	33			
95 PR8 N/17	3	4	-	-	7,5		115	106	98	94	85	72	60	43			
95 PR8 N/23	4	5,5	-	-	9,8		155	144	132	127	115	98	81	58			
95 PR8 N/31	5,50	7,5	-	-	13,5		209	194	178	171	155	132	109	78			
95 PR8 N/42	7,50	10	-	-	17,5		284	263	242	231	210	179	147	105			



Type	Motor 50 Hz - 2900 rpm		Overall dimensions and weights					
	A mm Mono V230M	A mm Tri V400	B mm	C mm Mono	C mm Tri	M kg Mono	M kg Tri	P kg
95 PR8 N/04	643	618	281	362	337	10	10	3
95 PR8 N/07	763	733	371	392	362	12	12	4
95 PR8 N/09	853	823	431	422	392	13	13	4,5
95 PR8 N/13	1040	1025	573	467	452	15	15	6
95 PR8 N/17	0	1250	693	0	557	0	19	7,5
95 PR8 N/23	0	1470	873	0	597	0	22	8,5
95 PR8 N/31	0	1833	1135	0	698	0	27	11
95 PR8 N/42	0	2305	1487	0	818	0	32	15

n% = Pump efficiency  
W/st = Stage absorption

Max 69%  
Max 174



**95 PR**

*Suction cage and delivery bowl in brass*



**95 PRG**

*Suction cage and delivery bowl in cast iron with CED (Cathode Electro Deposition)*

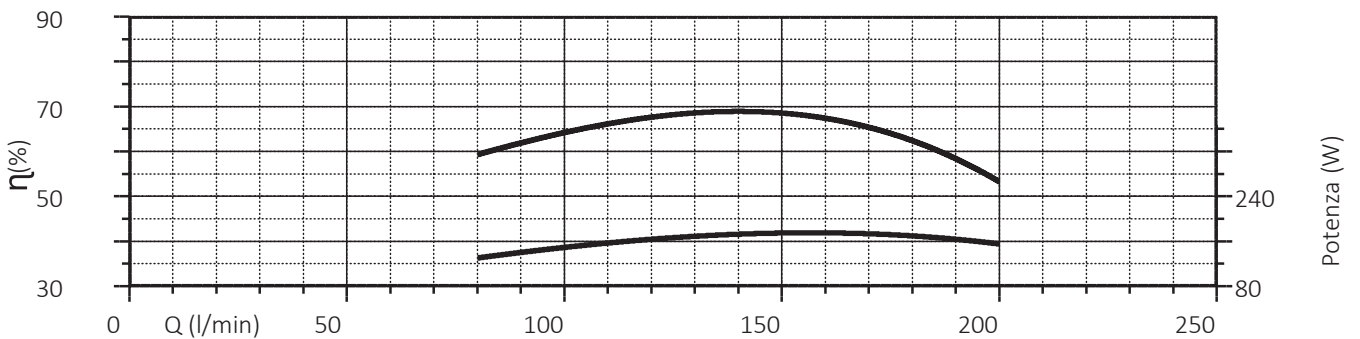
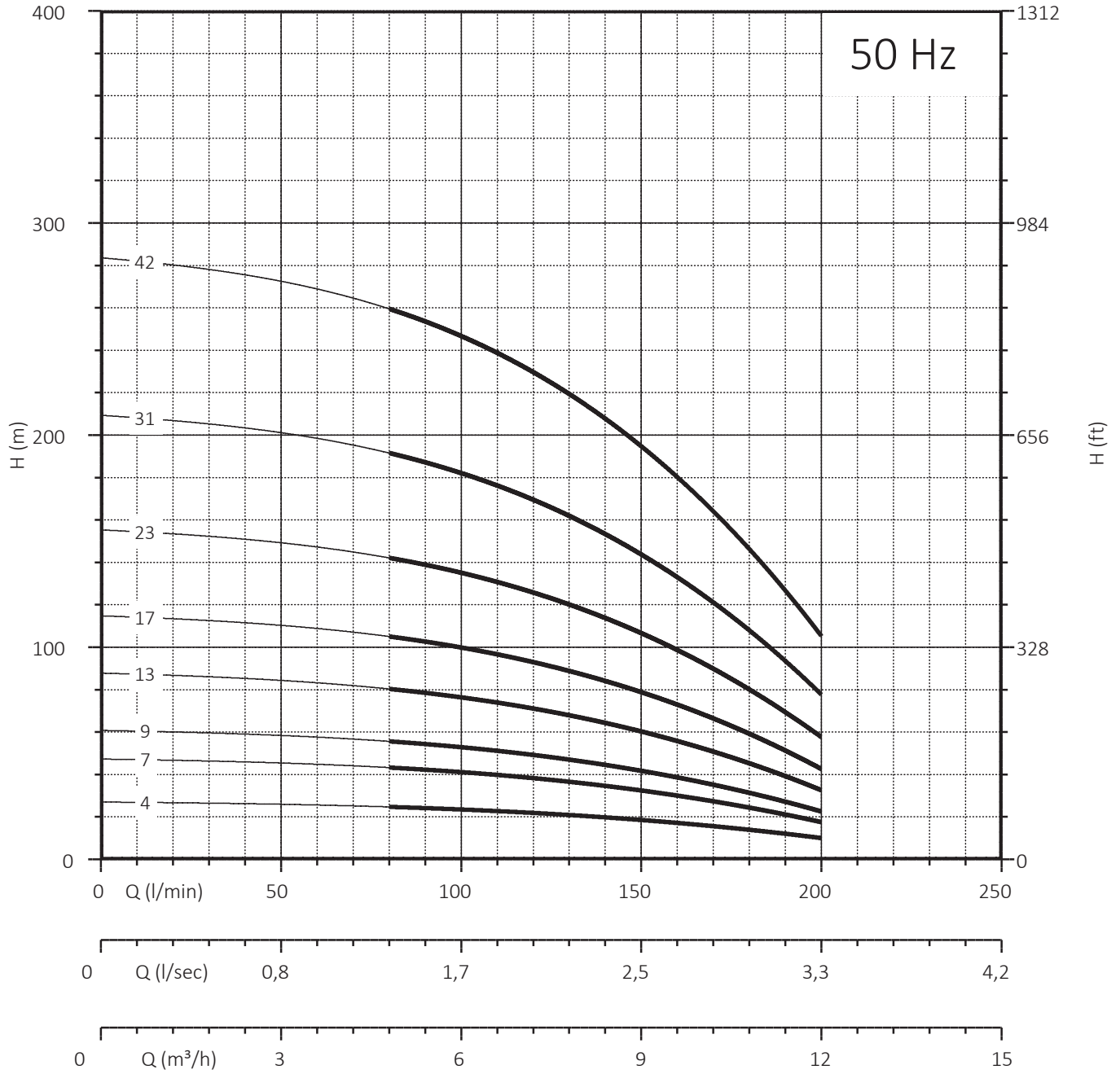


**95 PRX**

*Suction cage and delivery bowl in AISI 304 casted*



4" 95 PR8 / PRG8 / PRX8 - HYDRAULIC PERFORMANCES

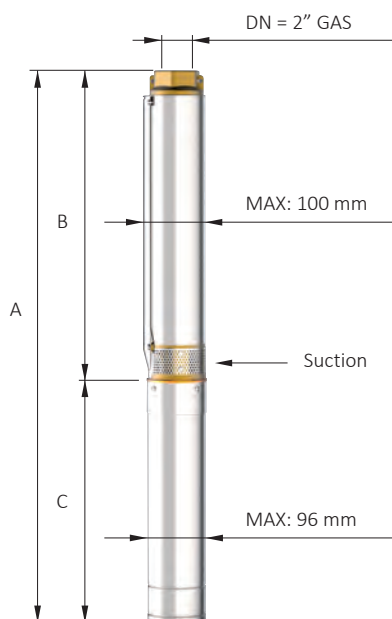


NPSH (m)		25%	50%	75%	100%
95 PR 8	95 PRX 8 95 PRG 8	2,2	2,2	3	4,8

sand tolerance 300 g/m<sup>3</sup>

**4" 95 PR10 / PRG10 / PRX10 - HYDRAULIC PERFORMANCES**

Motor						50 Hz - 2900 rpm							Q = Capacity - Debit						
Type	Power		Single phase V230		V 400	l/min	0	100	125	150	175	200	225	250					
	kW	HP	A	μF	A	l/sec	0	1,67	2,08	2,50	2,92	3,33	3,75	4,17					
						m³/h	0	6	7,5	9	10,5	12	13,5	15					
95 PR10 N/05	1,10	1,5	9,6	40	3,1	H[m]	33	28	27	24	21	18	14	10					
95 PR10 N/07	1,50	2	11,8	50	4		46	39	37	34	29	25	20	14					
95 PR10 N/10	2,20	3	15,2	75	5,8		66	56	53	48	42	36	28	20					
95 PR10 N/15	3	4	-	-	7,5		99	84	80	72	63	54	42	30					
95 PR10 N/20	4	5,5	-	-	9,8		132	112	106	96	84	72	56	40					
95 PR10 N/26	5,50	7,5	-	-	13,5		172	146	138	125	109	94	73	52					
95 PR10 N/35	7,50	10	-	-	17,5		231	196	186	168	147	126	98	70					



Motor 50 Hz - 2900 rpm	Overall dimensions and weights							
Type	A mm Mono V230M	A mm Tri V400	B mm	C mm Mono	C mm Tri	M kg Mono	M kg Tri	P kg
95 PR10 N/05	758	728	366	392	362	12	12	4,5
95 PR10 N/07	870	840	448	422	392	13	13	5,4
95 PR10 N/10	1060	1045	593	467	452	15	15	6,5
95 PR10 N/15	0	1355	798	0	557	0	19	7,6
95 PR10 N/20	0	1622	1025	0	597	0	22	11,5
95 PR10 N/26	0	1969	1271	0	698	0	27	13,7
95 PR10 N/35	0	2480	1662	0	818	0	32	17,8

n% = Pump efficiency  
W/st = Stage absorption

Max 63%  
Max 200


**95 PR**

Gabbia di aspirazione e mandata in ottone



Suction cage and delivery bowl in brass


**95 PRG**

Gabbia di aspirazione e mandata in ghisa con trattamento di cataforesi



Suction cage and delivery bowl in cast iron with CED (Cathode Electro Deposition)


**95 PRX**

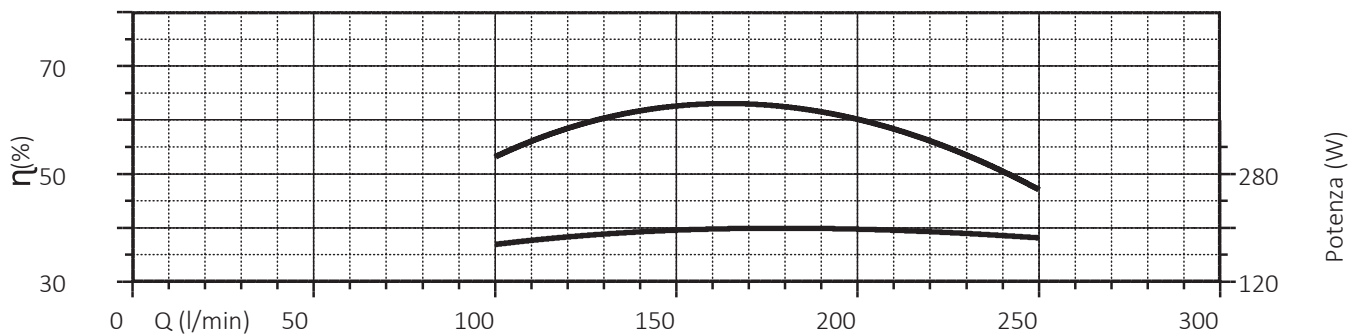
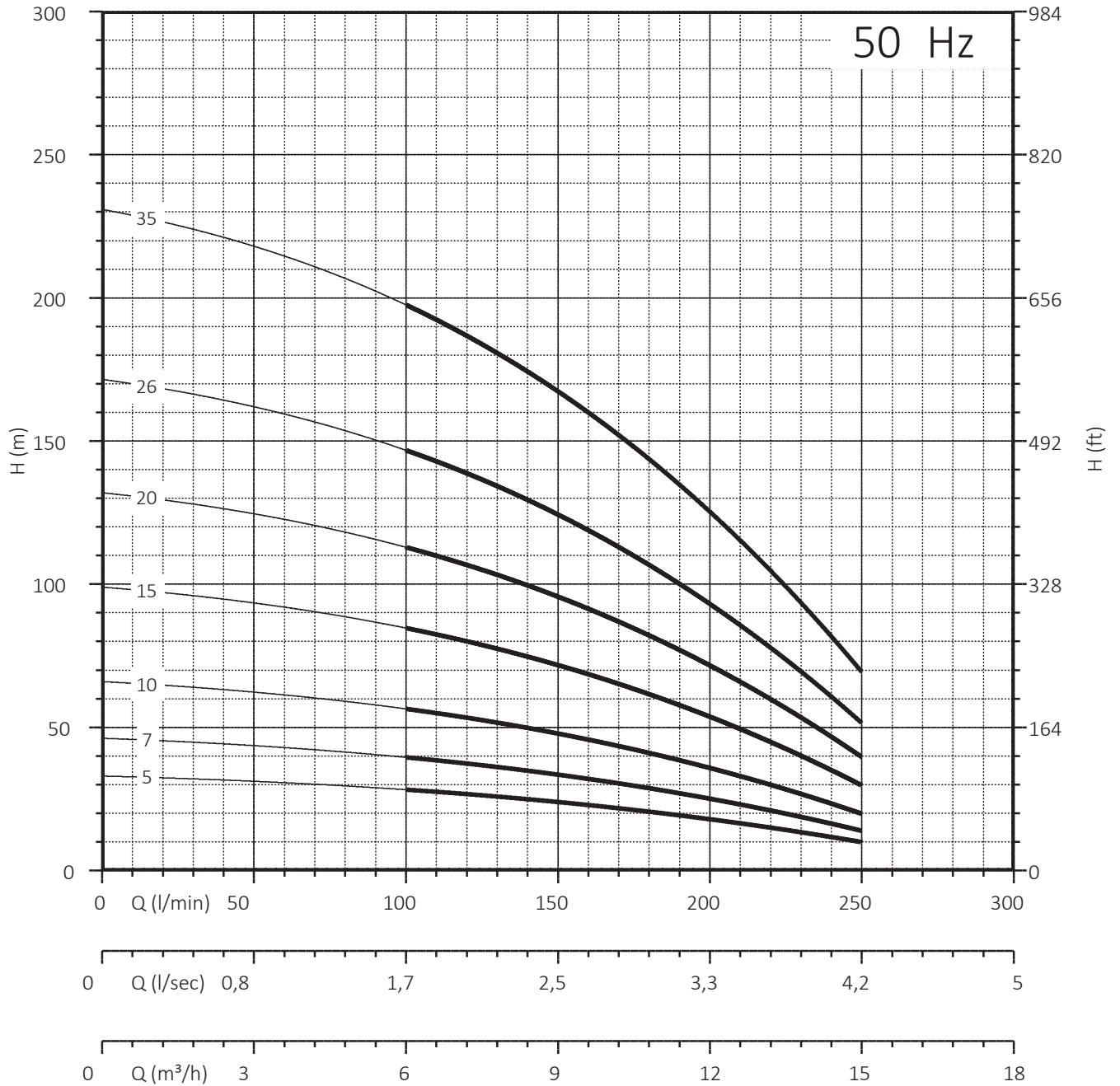
Gabbia di aspirazione e mandata in AISI 304 microfuso



Suction cage and delivery bowl in AISI 304 casted



4" 95 PR10 / PRG10 / PRX10 - HYDRAULIC PERFORMANCES

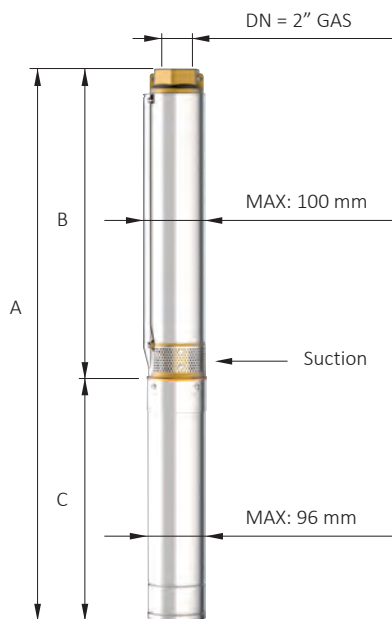


NPSH (m)		25%	50%	75%	100%
95 PR 10	95 PRX 10 95 PRG 10	2,2	2,2	3	4,8

sand tolerance 300 g/m<sup>3</sup>

**4" 95 PR4 / PRG4 / PRX4 - HYDRAULIC PERFORMANCES**

Motor						50 Hz - 2900 rpm							Q = Capacity - Debit						
Type	Power		Mono Fase Single phase V230		V 400	l/min	0	150	175	200	225	250	275	300					
	kW	HP	A	μF	A	l/sec	0	2,50	2,92	3,33	3,75	4,17	4,58	5					
						m³/h	0	9	10,5	12,0	13,5	15	16,5	18					
95 PR12 N/04	1,10	1,5	9,6	40	3,1	H[m]	25	21	20	18	17	15	12	10					
95 PR12 N/06	1,50	2	11,8	50	4		38	32	30	27	26	23	18	15					
95 PR12 N/09	2,20	3	15,2	75	5,8		56	47	45	41	38	34	27	23					
95 PR12 N/12	3	4	-	-	7,5		75	63	60	54	51	45	36	30					
95 PR12 N/16	4	5,5	-	-	9,8		100	84	80	72	68	60	48	40					
95 PR12 N/22	5,50	7,5	-	-	13,5		138	116	110	99	94	83	66	55					
95 PR12 N/29	7,50	10	-	-	17,5		181	152	145	131	123	109	87	73					



Motor 50 Hz - 2900 rpm	Overall dimensions and weights							
Type	A mm Mono V230M	A mm Tri V400	B mm	C mm Mono	C mm Tri	M kg Mono	M kg Tri	P kg
95 PR12 N/04	717	687	325	392	362	12	12	4
95 PR12 N/06	829	799	407	422	392	13	13	5,5
95 PR12 N/09	1019	1004	552	467	452	15	15	6,3
95 PR12 N/12	0	1232	675	0	557	0	19	7,5
95 PR12 N/16	0	1436	839	0	597	0	22	10
95 PR12 N/22	0	1805	1107	0	698	0	27	13
95 PR12 N/29	0	2234	1416	0	818	0	32	15,8

n% = Pump efficiency  
W/st = Stage absorption

Max 60%  
Max 270


**95 PR**

Suction cage and  
delivery bowl in brass


**95 PRG**

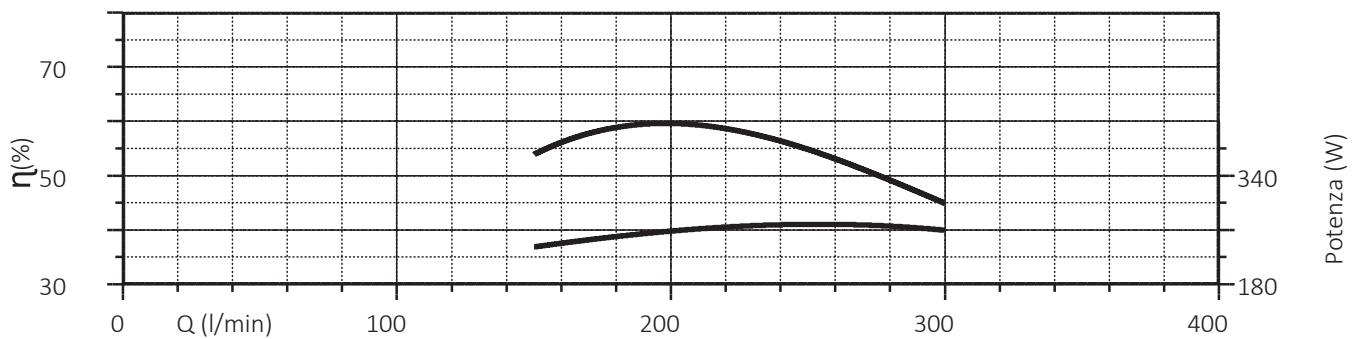
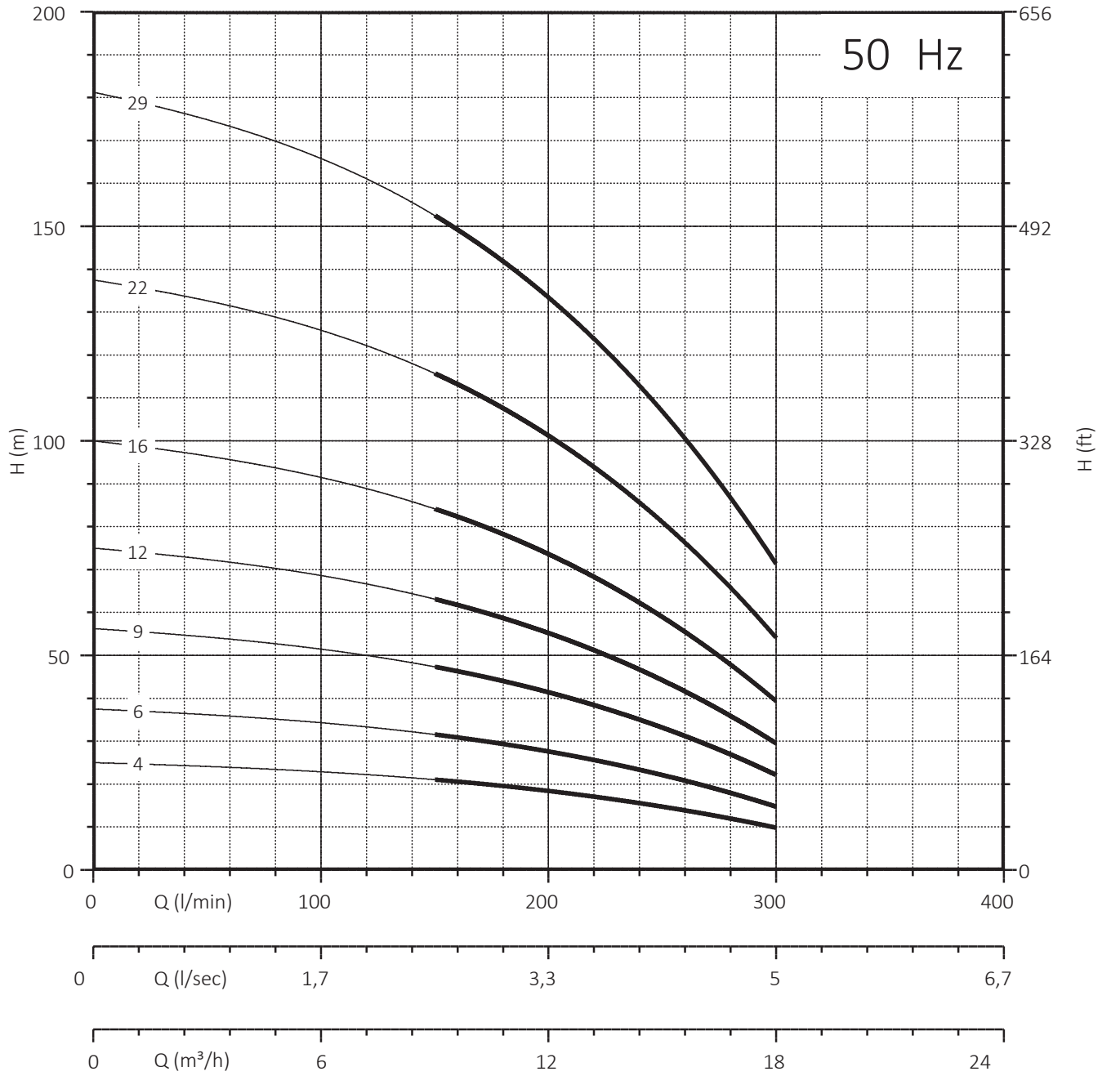
Suction cage and delivery bowl in  
cast iron with CED  
(Cathode Electro Deposition)


**95 PRX**

Suction cage and  
delivery bowl  
in AISI 304 casted



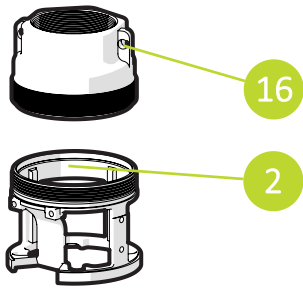
4" 95 PR12 / PRG12 / PRX12 - HYDRAULIC PERFORMANCES



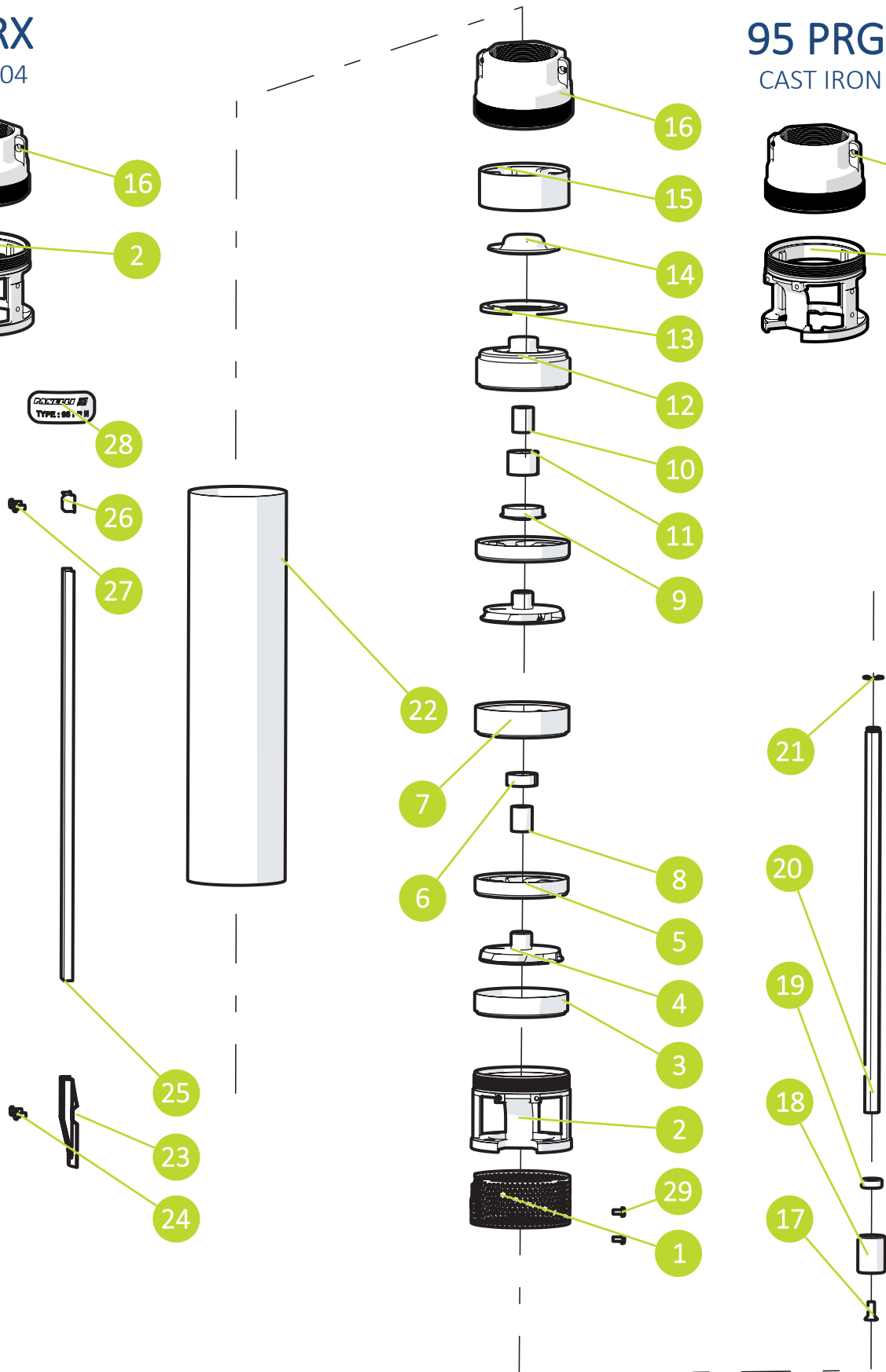
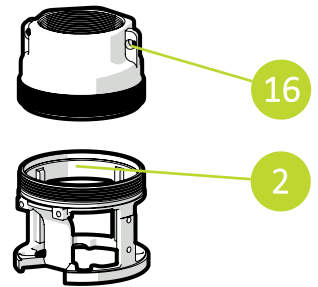
NPSH (m)		25%	50%	75%	100%
95 PR 12	95 PRX 12 95 PRG 12	2,2	2,2	3	4,8

sand tolerance 300 g/m<sup>3</sup>

**95 PRX**  
AISI 304



**95 PRG**  
CAST IRON



**95 PR**

N. CODE	DESCRIZIONE (Italiano)	MATERIALE (Italiano)	DESCRIPTION (English)	MATERIAL (English)
1	SUCCHERUOLA	ACCIAIO INOX AISI 304	SUCTION STRAINER	AISI 304
2 *	GABBIA DI ASPIRAZIONE	OTTONE	SUCTION CAGE	BRASS
3	ELEMENTO INTERMEDIO	ACCIAIO INOX AISI 304	INTERMEDIATE CASING	AISI 304
4	GIRANTE	POLICARBONATO	IMPELLER	POLYCARBONATE
5	DIFFUSORE	NORYL GFN2	DIFFUSEUR	NORYL GFN2
6	BRONZINA SUPPORTO INTERMEDIO	GOMMA	INTERMEDIATE BEARING BUSH	RUBBER NBR
7	SUPPORTO INTERMEDIO	NORYL GFN2	INTERMEDIATE SUPPORT	NORYL GFN2
8	DISTANZIATORE INTERMEDIO	ACCIAIO INOX AISI 304	INTERMEDIATE SPACER	AISI 304
9	PARASABBIA	NORYL GFN2	SAND GUARD	NORYL GFN2
10	DISTANZIATORE SUPPORTO SUPERIORE	ACCIAIO INOX AISI 304	SPACER UPPER SUPPORT	AISI 304
11	BRONZINA SUPPORTO SUPERIORE	GOMMA	UPPER BEARING BUSH	RUBBER NBR
12	SUPPORTO SUPERIORE	NORYL GFN2	UPPER SUPPORT	NORYL GFN2
13	GUARNIZIONE FARFALLA	GOMMA	GASLET VALVE	RUBBER NBR
14	FARFALLA	ACCIAIO INOX AISI 304	CAP VALVE	AISI 304
15	ANELLO RACCORDO MANDATA	NORYL GFN2	RING CONNECTOR DELIVERY BOWL	NORYL GFN2
16 *	MANDATA	OTTONE	DELIVERY BOWL	BRASS
17	VITE M6X12	ACCIAIO INOX AISI 304	SCREW M6X12	AISI 304
18	GIUNTO DI TRAINO FLOTTANTE	ACCIAIO INOX AISI 304	FLOATING JOINT	AISI 304
19	DISTANZIATORE PRIMA GIRANTE	POLICARBONATO	SPACER FIRST IMPELLER	POLYCARBONATE
20	ALBERO POMPA	ACCIAIO INOX AISI 420	PUMP SHAFT	AISI 420
21	SEEGER	ACCIAIO INOX AISI 304	SEEGER	AISI 304
22	CAMICIA	ACCIAIO INOX AISI 304	SLEEVE	AISI 304
23	STAFFETTA INFERIORE	ACCIAIO INOX AISI 304	LOWER FLANGE	AISI 304
24	N.2 VITI M4 X 10 PER STAFFETTA INFERIORE	ACCIAIO INOX AISI 304	N.2 SCREW M4X10 FOR LOWER FLANGE	AISI 304
25	COPRICAVO	ACCIAIO INOX AISI 304	COVER CABLE	AISI 304
26	STAFFETTA SUPERIORE	ACCIAIO INOX AISI 304	UPPER FLANGE	AISI 304
27	N.2 VITI M4 X 10 PER STAFFETTA SUPERIORE	ACCIAIO INOX AISI 304	N.2 SCREW M4X10 FOR UPPER FLANGE	AISI 304
28	ETICHETTA ADESIVA	POLIESTERE	ADHESIVE LABEL	POLYESTER
29	N.2 VITI M4 X 8 PER SUCCHERUOLA	ACCIAIO INOX AISI 304	N.2 SCREW M4X8 SUCTION STRAINER	AISI 304

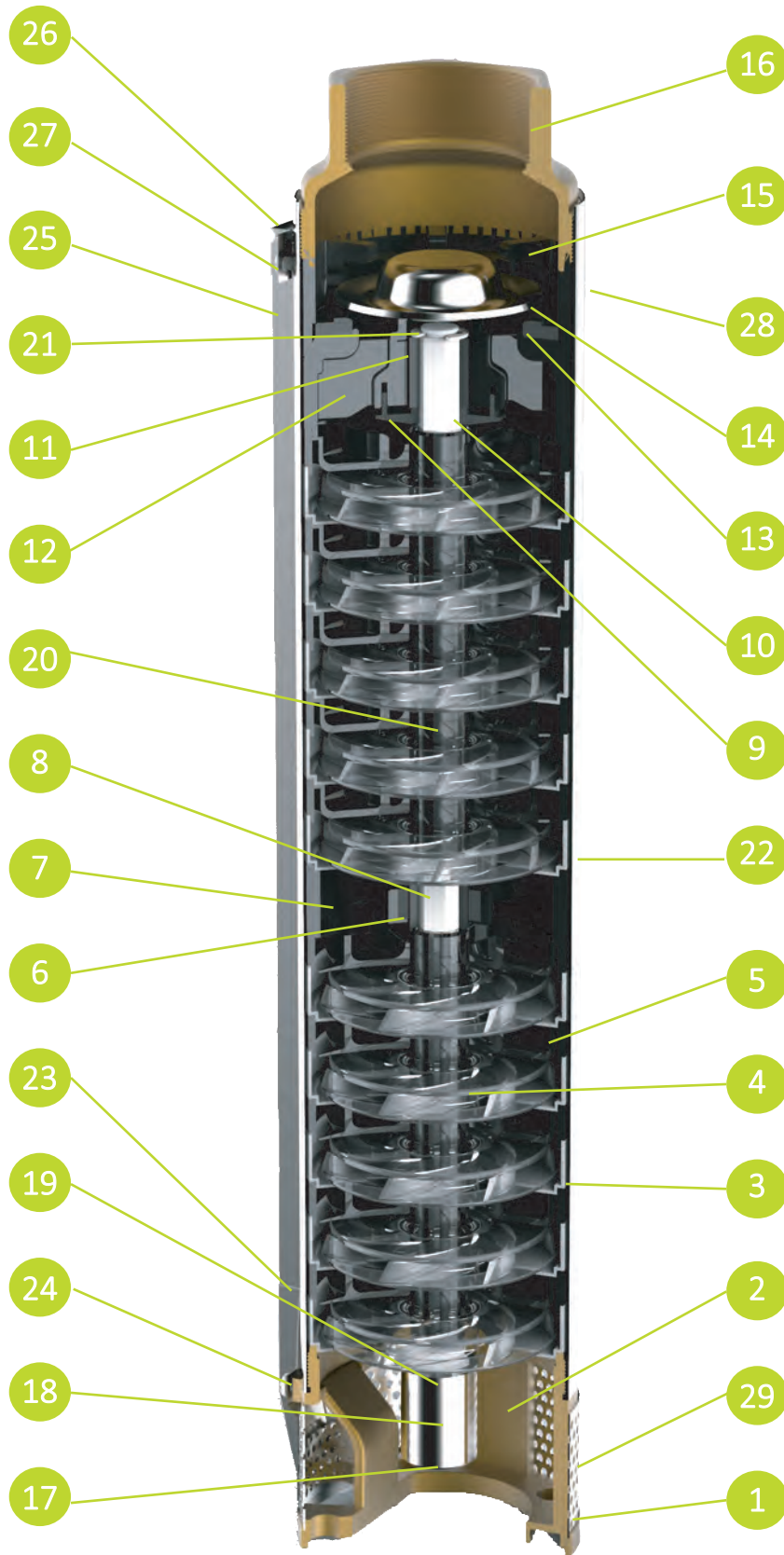
N. CODE	DESCRIPTION (Français)	MATÉRIEL (Français)	DESCRIPCIÓN (Español)	MATERIAL (Español)
1	CREPINE	ACIER INOXYDABLE AISI 304	REJILLA	ACERO INOXYDABLE AISI 304
2 *	CAGE D'ASPIRATION	LAITON	CUERPO DE ASPIRACION	LATON
3	ELEMENT INTERMEDIARE	ACIER INOXYDABLE AISI 304	ELEMENTO INTERMEDIO	ACERO INOXYDABLE AISI 304
4	ROUE	TECHNOPOLYMER	IMPULSOR	TECHNOPOLYMERO
5	DIFFUSEUR	NORYL GFN2	DIFUSOR	NORYL GFN2
6	COUSSINET BEARING BUSH	CAOUTCHOUC	COJINETE SOPORTE INTERMEDIO	GOMA
7	SUPPORT INTERMEDIARE	NORYL GFN2	SOPORTE INTERMEDIO	NORYL GFN2
8	ENTRETOISE INTERMEDIARE	ACIER INOXYDABLE AISI 304	DISTANCIADOR INTERMEDIO	ACERO INOXYDABLE AISI 304
9	PARA SABLE	NORYL GFN2	PROTECTOR ARENA	NORYL GFN2
10	SUPPORT SUPERIEURE SPACER	ACIER INOXYDABLE AISI 304	DISTANCIADOR SOPORTE SUPERIOR	ACERO INOXYDABLE AISI 304
11	COUSSINET SUPPORT SUPERIEURE	CAOUTCHOUC	COJINETE SOPORTE SUPERIOR	GOMA
12	SUPPORT SUPERIEURE	NORYL GFN2	SOPORTE SUPERIOR	NORYL GFN2
13	VALVE GASKET	CAOUTCHOUC	JUNTA DE VALVULA	GOMA
14	PLAT	ACIER INOXYDABLE AISI 304	VALVULA	ACERO INOXYDABLE AISI 304
15	RING CONNECTEUR PLAT	NORYL GFN2	ANILLO CUERPO DE IMPULSION	NORYL GFN2
16 *	REFOULEMENT	LAITON	CUERPO DE IMPULSION	LATON
17	VIS M6X12	ACIER INOXYDABLE AISI 304	TORNILLO M6X12	ACERO INOXYDABLE AISI 304
18	JOINT FLOTTANT	ACIER INOXYDABLE AISI 304	ACOPLAMIENTO FLOTANTE	ACERO INOXYDABLE AISI 304
19	ENTRETOISE PREMIERE ROUE	TECHNOPOLYMER	DISTANCIADOR PRIMER IMPULSOR	TECHNOPOLYMERO
20	ARBRE POMPE	ACIER INOXYDABLE AISI 420	EJE DE BOMBA	ACERO INOXYDABLE AISI 420
21	SEEGER	ACIER INOXYDABLE AISI 304	SEEGER	ACERO INOXYDABLE AISI 304
22	CHEMISE	ACIER INOXYDABLE AISI 304	CAMISA	ACERO INOXYDABLE AISI 304
23	BRIDE INFERIEURE	ACIER INOXYDABLE AISI 304	GRAPA INFERIOR	ACERO INOXYDABLE AISI 304
24	N.2 VIS POUR BRIDE INFERIEURE	ACIER INOXYDABLE AISI 304	N.2 TORNILLOS GRAPA INFERIOR	ACERO INOXYDABLE AISI 304
25	PROTECTION CABLE	ACIER INOXYDABLE AISI 304	PARACABLE	ACERO INOXYDABLE AISI 304
26	BRIDE SUPERIEURE	ACIER INOXYDABLE AISI 304	GRAPA SUPERIOR	ACERO INOXYDABLE AISI 304
27	N.2 VIS POUR BRIDE SUPERIEURE	ACIER INOXYDABLE AISI 304	N.2 TORNILLOS GRAPA SUPERIOR	ACERO INOXYDABLE AISI 304
28	ADHESIVE ETIQUETTE	PLASTIQUE	ETIQUETA	PLASTICO
29	N.2 VIS POUR CREPINE	ACIER INOXYDABLE AISI 304	N.2 TORNILLOS REJILLA	ACERO INOXYDABLE AISI 304

**\* 95 PRX**

ACCIAIO INOX AISI 304  
AISI 304  
ACIER INOXYDABLE AISI 304 ACERO  
INOXYDABLE AISI 304

**\* 95 PRG**

GHISA  
CAST IRON  
FONTE  
HIERRO FUNDIDO



**95 PRX**  
AISI 304



**95 PRG**  
CAST IRON



**95 PR**

N. CODE	DESCRIZIONE (Italiano)	MATERIALE (Italiano)	DESCRIPTION (English)	MATERIAL (English)
1	SUCCHERUOLA	ACCIAIO INOX AISI 304	SUCTION STRAINER	AISI 304
2 *	GABBIA DI ASPIRAZIONE	OTTONE	SUCTION CAGE	BRASS
3	ELEMENTO INTERMEDIO	ACCIAIO INOX AISI 304	INTERMEDIATE CASING	AISI 304
4	GIRANTE	POLICARBONATO	IMPELLER	POLYCARBONATE
5	DIFFUSORE	NORYL GFN2	DIFFUSEUR	NORYL GFN2
6	BRONZINA SUPPORTO INTERMEDIO	GOMMA	INTERMEDIATE BEARING BUSH	RUBBER NBR
7	SUPPORTO INTERMEDIO	NORYL GFN2	INTERMEDIATE SUPPORT	NORYL GFN2
8	DISTANZIATORE INTERMEDIO	ACCIAIO INOX AISI 304	INTERMEDIATE SPACER	AISI 304
9	PARASABBIA	NORYL GFN2	SAND GUARD	NORYL GFN2
10	DISTANZIATORE SUPPORTO SUPERIORE	ACCIAIO INOX AISI 304	SPACER UPPER SUPPORT	AISI 304
11	BRONZINA SUPPORTO SUPERIORE	GOMMA	UPPER BEARING BUSH	RUBBER NBR
12	SUPPORTO SUPERIORE	NORYL GFN2	UPPER SUPPORT	NORYL GFN2
13	GUARNIZIONE FARFALLA	GOMMA	GASLET VALVE	RUBBER NBR
14	FARFALLA	ACCIAIO INOX AISI 304	CAP VALVE	AISI 304
15	ANELLO RACCORDO MANDATA	NORYL GFN2	RING CONNECTOR DELIVERY BOWL	NORYL GFN2
16 *	MANDATA	OTTONE	DELIVERY BOWL	BRASS
17	VITE M6X12	ACCIAIO INOX AISI 304	SCREW M6X12	AISI 304
18	GIUNTO DI TRAINO FLOTTANTE	ACCIAIO INOX AISI 304	FLOATING JOINT	AISI 304
19	DISTANZIATORE PRIMA GIRANTE	POLICARBONATO	SPACER FIRST IMPELLER	POLYCARBONATE
20	ALBERO POMPA	ACCIAIO INOX AISI 420	PUMP SHAFT	AISI 420
21	SEEGER	ACCIAIO INOX AISI 304	SEEGER	AISI 304
22	CAMICIA	ACCIAIO INOX AISI 304	SLEEVE	AISI 304
23	STAFFETTA INFERIORE	ACCIAIO INOX AISI 304	LOWER FLANGE	AISI 304
24	N.2 VITI M4 X 10 PER STAFFETTA INFERIORE	ACCIAIO INOX AISI 304	N.2 SCREW M4X10 FOR LOWER FLANGE	AISI 304
25	COPRICAVO	ACCIAIO INOX AISI 304	COVER CABLE	AISI 304
26	STAFFETTA SUPERIORE	ACCIAIO INOX AISI 304	UPPER FLANGE	AISI 304
27	N.2 VITI M4 X 10 PER STAFFETTA SUPERIORE	ACCIAIO INOX AISI 304	N.2 SCREW M4X10 FOR UPPER FLANGE	AISI 304
28	ETICHETTA ADESIVA	POLIESTERE	ADHESIVE LABEL	POLYESTER
29	N.2 VITI M4 X 8 PER SUCCHERUOLA	ACCIAIO INOX AISI 304	N.2 SCREW M4X8 SUCTION STRAINER	AISI 304

N. CODE	DESCRIPTION (Français)	MATÉRIEL (Français)	DESCRIPCIÓN (Español)	MATERIAL (Español)
1	CREPINE	ACIER INOXYDABLE AISI 304	REJILLA	ACERO INOXYDABLE AISI 304
2 *	CAGE D'ASPIRATION	LAITON	CUERPO DE ASPIRACION	LATON
3	ELEMENT INTERMEDIARE	ACIER INOXYDABLE AISI 304	ELEMENTO INTERMEDIO	ACERO INOXYDABLE AISI 304
4	ROUE	TECHNOPOLYMER	IMPULSOR	TECHNOPOLYMERO
5	DIFFUSEUR	NORYL GFN2	DIFUSOR	NORYL GFN2
6	COUSSINET BEARING BUSH	CAOUTCHOUC	COJINETE SOPORTE INTERMEDIO	GOMA
7	SUPPORT INTERMEDIARE	NORYL GFN2	SOPORTE INTERMEDIO	NORYL GFN2
8	ENTRETOISE INTERMEDIARE	ACIER INOXYDABLE AISI 304	DISTANCIADOR INTERMEDIO	ACERO INOXYDABLE AISI 304
9	PARA SABLE	NORYL GFN2	PROTECTOR ARENA	NORYL GFN2
10	SUPPORT SUPERIEURE SPACER	ACIER INOXYDABLE AISI 304	DISTANCIADOR SOPORTE SUPERIOR	ACERO INOXYDABLE AISI 304
11	COUSSINET SUPPORT SUPERIEURE	CAOUTCHOUC	COJINETE SOPORTE SUPERIOR	GOMA
12	SUPPORT SUPERIEURE	NORYL GFN2	SOPORTE SUPERIOR	NORYL GFN2
13	VALVE GASKET	CAOUTCHOUC	JUNTA DE VALVULA	GOMA
14	PLAT	ACIER INOXYDABLE AISI 304	VALVULA	ACERO INOXYDABLE AISI 304
15	RING CONNECTEUR PLAT	NORYL GFN2	ANILLO CUERPO DE IMPULSION	NORYL GFN2
16 *	REFOULEMENT	LAITON	CUERPO DE IMPULSION	LATON
17	VIS M6X12	ACIER INOXYDABLE AISI 304	TORNILLO M6X12	ACERO INOXYDABLE AISI 304
18	JOINT FLOTTANT	ACIER INOXYDABLE AISI 304	ACOPLAMIENTO FLOTANTE	ACERO INOXYDABLE AISI 304
19	ENTRETOISE PREMIERE ROUE	TECHNOPOLYMER	DISTANCIADOR PRIMER IMPULSOR	TECHNOPOLYMERO
20	ARBRE POMPE	ACIER INOXYDABLE AISI 420	EJE DE BOMBA	ACERO INOXYDABLE AISI 420
21	SEEGER	ACIER INOXYDABLE AISI 304	SEEGER	ACERO INOXYDABLE AISI 304
22	CHEMISE	ACIER INOXYDABLE AISI 304	CAMISA	ACERO INOXYDABLE AISI 304
23	BRIDE INFERIEURE	ACIER INOXYDABLE AISI 304	GRAPA INFERIOR	ACERO INOXYDABLE AISI 304
24	N.2 VIS POUR BRIDE INFERIEURE	ACIER INOXYDABLE AISI 304	N.2 TORNILLOS GRAPA INFERIOR	ACERO INOXYDABLE AISI 304
25	PROTECTION CABLE	ACIER INOXYDABLE AISI 304	PARACABLE	ACERO INOXYDABLE AISI 304
26	BRIDE SUPERIEURE	ACIER INOXYDABLE AISI 304	GRAPA SUPERIOR	ACERO INOXYDABLE AISI 304
27	N.2 VIS POUR BRIDE SUPERIEURE	ACIER INOXYDABLE AISI 304	N.2 TORNILLOS GRAPA SUPERIOR	ACERO INOXYDABLE AISI 304
28	ADHESIVE ETIQUETTE	PLASTIQUE	ETIQUETA	PLASTICO
29	N.2 VIS POUR CREPINE	ACIER INOXYDABLE AISI 304	N.2 TORNILLOS REJILLA	ACERO INOXYDABLE AISI 304

**\* 95 PRX**

ACCIAIO INOX AISI 304  
AISI 304  
ACIER INOXYDABLE AISI 304 ACERO  
INOXYDABLE AISI 304

**\* 95 PRG**

GHISA  
CAST IRON  
FONTE  
HIERRO FUNDIDO